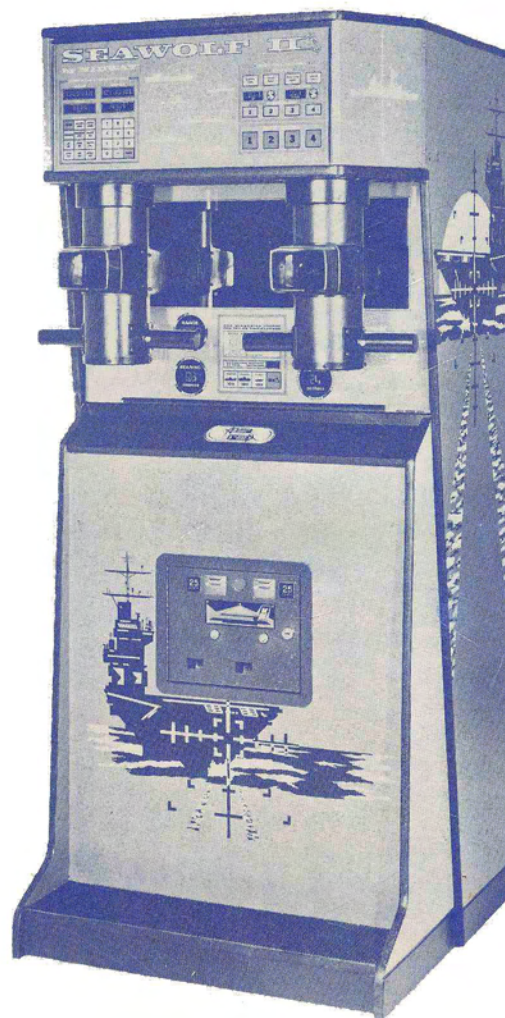


GAME NO. 625
JUNE 1, 1978

MIDWAY'S SEAWOLF II PARTS CATALOG



MIDWAY MFG. CO.

A BALLY COMPANY

10750 WEST GRAND AVENUE
FRANKLIN PARK, ILLINOIS 60131
U.S.A.

PHONE: (312) 451-1360 CABLE ADDRESS: MIDCO TELEX NO.: 72-1596

TABLE OF CONTENTS

	Page No.
GENERAL INSTRUCTIONS	1
VISUAL ADJUSTMENTS	2
SWITCH ADJUSTMENTS (FIRST 500 GAMES)	3
SWITCH ADJUSTMENTS (POST 500 GAMES)	4
NO. 625 — SEA WOLF II — PICTURE	5—7
PERISCOPE MIRROR & LIGHT BOX ASSEMBLY	8—10
PERISCOPE TUBE ASSEMBLY	12—13
FRONT DOOR ASSEMBLY	14—15
TRANSFORMER BOARD ASSEMBLY	16—17
ADDITIONAL PARTS LIST	18
GAME BOARD COMPONENTS LAYOUT (D-VERSION)	19
GAME BOARD COMPONENTS LAYOUT (E-VERSION)	20
MOTHER BOARD COMPONENTS LAYOUT (B-VERSION)	21
MOTHER BOARD COMPONENTS LAYOUT (C-VERSION)	22
POWER SUPPLY COMPONENTS LAYOUT	23
POWER SUPPLY SCHEMATIC	24
MONITOR SCHEMATIC	25
CHARACTERIZATION CARD	26
WELLS GARDNER MONITOR SCHEMATIC	27
WELLS GARDNER PARTS LIST	28—29
25-INCH COLOR MONITOR SCHEMATIC—MODEL G02	30
COLOR MONITOR PARTS LIST	31

WARNING

THIS GAME MUST BE GROUNDED. FAILURE TO DO SO MAY RESULT IN DESTRUCTION TO ELECTRONIC COMPONENTS.

GENERAL INSTRUCTIONS FOR "SEA WOLF II"

INSTALLATION:

- A. Attach and adjust 6 provided leg levelers to bottom of cabinet. (4 to cabinet, 2 to step.)
- B. Remove shipping cleats (located on bottom of cabinet), pull step out and secure in place with provided bolt.
- C. Remove 2 red shipping brackets (located in back box area) from periscope assemblies.
- D. The power is controlled by a switch located on top of the cabinet. Plug into A.C. only, 115 volts, 60 cycles.
- E. In the event the game is tilted, or the line cord is removed, any credits accumulated will reset to zero.

VOLTAGE CONTROL:

Located on Power Supply Board (P.C. A082-90401-B000) and is preset at the factory. These control pots should not be tampered with unless the Distributor Service Department is contacted.

COIN, TIME, EXTENDED PLAY, MONITOR AND TEST SWITCHES:

Located on Game Logic Board (P.C. A084-90700-0625) and may be adjusted as indicated on separate instructions in back box area.

LEFT AND RIGHT MASTER VOLUME CONTROL POTS:

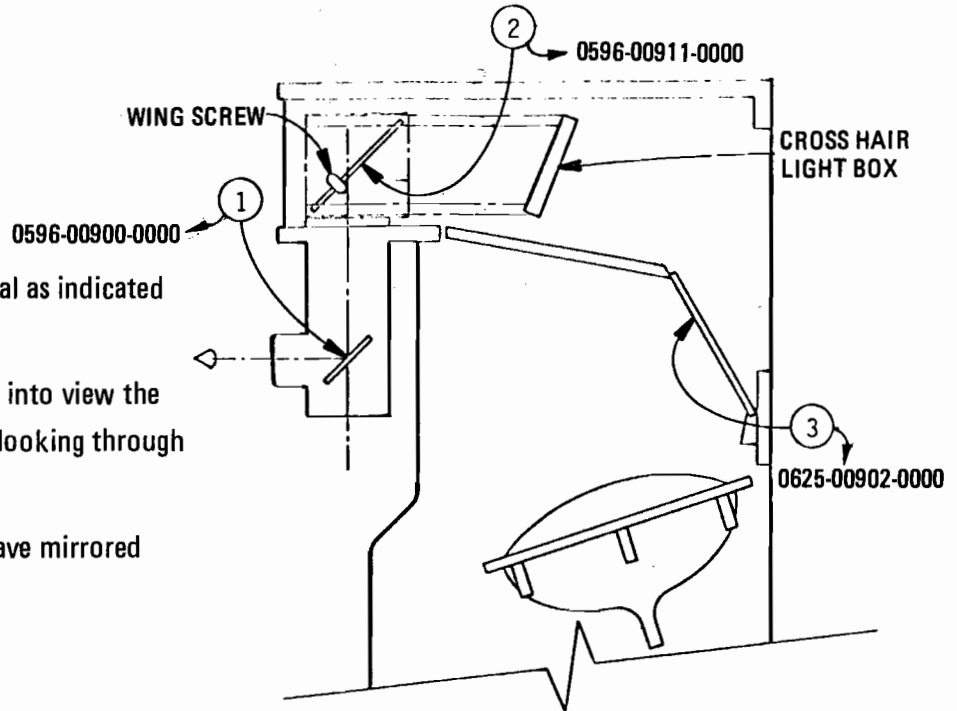
Located on Game Logic Board (P.C. A084-90700-0625) and may be raised or lowered as desired.

SEA WOLF II – VISUAL ADJUSTMENTS

VISUAL ADJUSTMENTS

1. Adj. cross hair sight to be vertical as indicated in sketch #1.
2. Adj. angle of mirror #2 to bring into view the hit and ready-reload area while looking through eyepiece.

Note: Mirrors 1, 2 & 3 must have mirrored surface on arrow side.



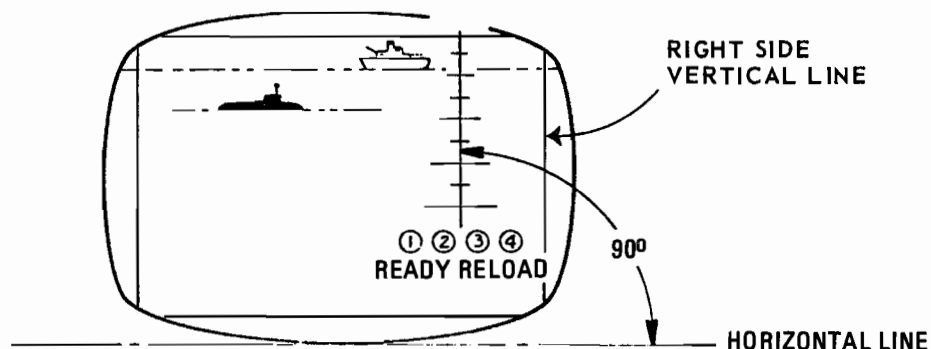
ALIGNMENT PROCEDURE

1. Put adjustment switch 8 in "OFF" position. Depress 2 player selector button. Alignment pattern will appear on screen.
2. Remove upper display glass.
3. Loosen allen set screws on gears. Note: This procedure is applied before display insert is mounted.
4. While looking through center of eyepiece with one eye align the cross hair with the vertical line on C.R.T. Then, by turning the hex nut on the gear shaft, turn until the following set of numbers appear on corresponding side of C.R.T.

Right Periscope – 001000

Left Periscope – 011000

5. Tighten set screws after numbers are set. Note: While making this adj. do not move periscope out of alignment until set screws on gear are tightened.
6. Return adjustment switch 8 to "ON" position (play mode).



SKETCH #1

SWITCH ADJUSTMENTS
THE FIRST (500) GAMES

COIN ADJUSTMENT SWITCHES

1 COIN – 1 PLAYER	SW. 1	SW. 2
2 COINS – 2 PLAYERS	ON	ON
1 COIN – 1 PLAYER	OFF	ON
1 COIN – 2 PLAYERS	OFF	ON
2 COINS – 1 PLAYER	OFF	OFF
2 COINS – 2 PLAYERS	OFF	OFF
2 COINS – 1 PLAYER	ON	OFF
4 COINS – 2 PLAYERS	ON	OFF

TIME ADJUSTMENT SWITCHES

70 SEC. – 1 PLAYER; EXTENDED PLAY 35 SEC.	SW. 3	SW. 4
90 SEC. – 2 PLAYERS; EXTENDED PLAY 45 SEC.	OFF	OFF
60 SEC. – 1 PLAYER; EXTENDED PLAY 30 SEC.	ON	OFF
75 SEC. – 2 PLAYERS; EXTENDED PLAY 35 SEC.	ON	OFF
50 SEC. 1 PLAYER; EXTENDED PLAY 25 SEC.	OFF	ON
60 SEC. – 2 PLAYERS; EXTENDED PLAY 30 SEC.	OFF	ON
40 SEC. – 1 PLAYER; EXTENDED PLAY 20 SEC.	ON	ON
45 SEC. – 2 PLAYERS; EXTENDED PLAY 20 SEC.	ON	ON

EXTENDED PLAY ADJUSTMENT SWITCHES

NO EXTENDED PLAY	SW. 5	SW. 6
EXTENDED PLAY AT 5000 SCORE	OFF	OFF
EXTENDED PLAY AT 6000 SCORE	ON	OFF
EXTENDED PLAY AT 6000 SCORE	OFF	ON
EXTENDED PLAY AT 7000 SCORE	ON	ON

MONITOR SELECTOR SWITCH

GAME EQUIPPED WITH COLOR MONITOR	SW. 7
GAME EQUIPPED WITH BLACK AND WHITE MONITOR	ON
	OFF

PLAY-TEST SWITCH

PLAY MODE	SW. 8
TEST (SEE SEPARATE INSTRUCTION SHEET FOR TEST PROCEDURES.)	ON
	OFF

SWITCH ADJUSTMENTS

POST (500) GAMES

COIN ADJUSTMENT SWITCHES

1 COIN – 1 PLAYER	SW. 1	SW. 2
2 COINS – 2 PLAYERS	ON	ON
1 COIN – 1 PLAYER	OFF	ON
1 COIN – 2 PLAYERS	OFF	ON
2 COINS – 1 PLAYER	OFF	OFF
2 COINS – 2 PLAYERS	OFF	OFF
2 COINS – 1 PLAYER	ON	OFF
4 COINS – 2 PLAYERS	ON	OFF

TIME ADJUSTMENT SWITCHES

70 SEC. – 1 PLAYER; EXTENDED PLAY 35 SEC.	SW. 3	SW. 4
90 SEC. – 2 PLAYERS; EXTENDED PLAY 45 SEC.	OFF	OFF
60 SEC. – 1 PLAYER; EXTENDED PLAY 30 SEC.	ON	OFF
75 SEC. – 2 PLAYERS; EXTENDED PLAY 35 SEC.	ON	OFF
50 SEC. 1 PLAYER; EXTENDED PLAY 25 SEC.	OFF	ON
60 SEC. – 2 PLAYERS; EXTENDED PLAY 30 SEC.	OFF	ON
40 SEC. – 1 PLAYER; EXTENDED PLAY 20 SEC.	ON	ON
45 SEC. – 2 PLAYERS; EXTENDED PLAY 20 SEC.	ON	ON

EXTENDED PLAY ADJUSTMENT SWITCHES

NO EXTENDED PLAY	SW. 5	SW. 6
EXTENDED PLAY AT 5000 SCORE	OFF	OFF
EXTENDED PLAY AT 6000 SCORE	ON	OFF
EXTENDED PLAY AT 7000 SCORE	OFF	ON
EXTENDED PLAY AT 7000 SCORE	ON	ON

MONITOR SELECTOR SWITCH

GAME EQUIPPED WITH COLOR MONITOR	SW. 7
GAME EQUIPPED WITH BLACK AND WHITE MONITOR	ON
GAME EQUIPPED WITH BLACK AND WHITE MONITOR	OFF

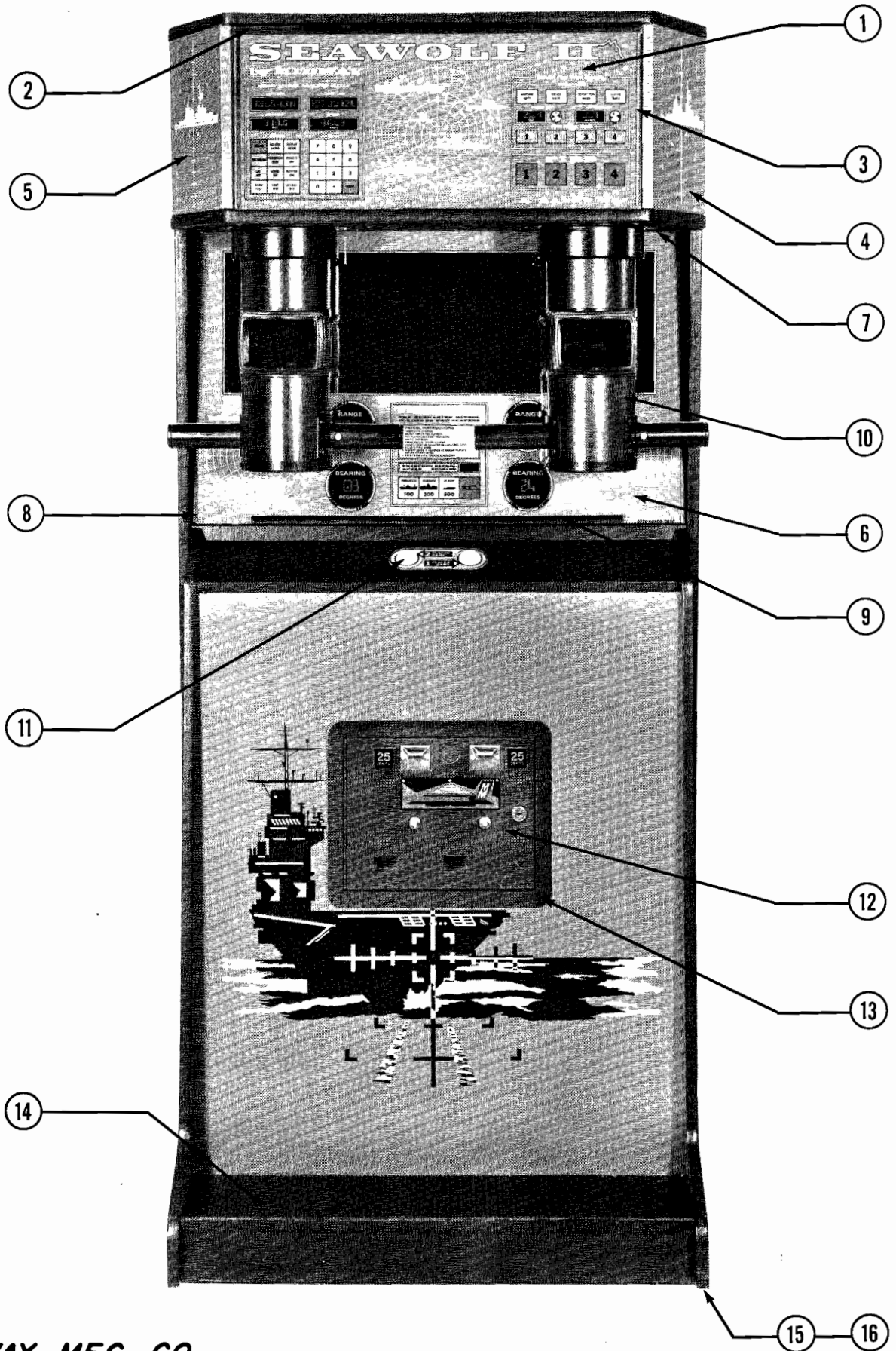
PLAY-TEST SWITCH

PLAY MODE	SW. 8
TEST (SEE SEPARATE INSTRUCTION SHEET FOR TEST PROCEDURES.)	ON
TEST (SEE SEPARATE INSTRUCTION SHEET FOR TEST PROCEDURES.)	OFF

LANGUAGE ADJUSTMENT SWITCH (4 POSITION)

ENGLISH	SW. 1	SW. 2
GERMAN	OFF	OFF
FRENCH	OFF	ON
FRENCH	ON	OFF

NO. 625 - SEA WOLF II - PICTURE



MIDWAY MFG. CO.
A BALLY COMPANY

NO. 625 – SEA WOLF II – PICTURE

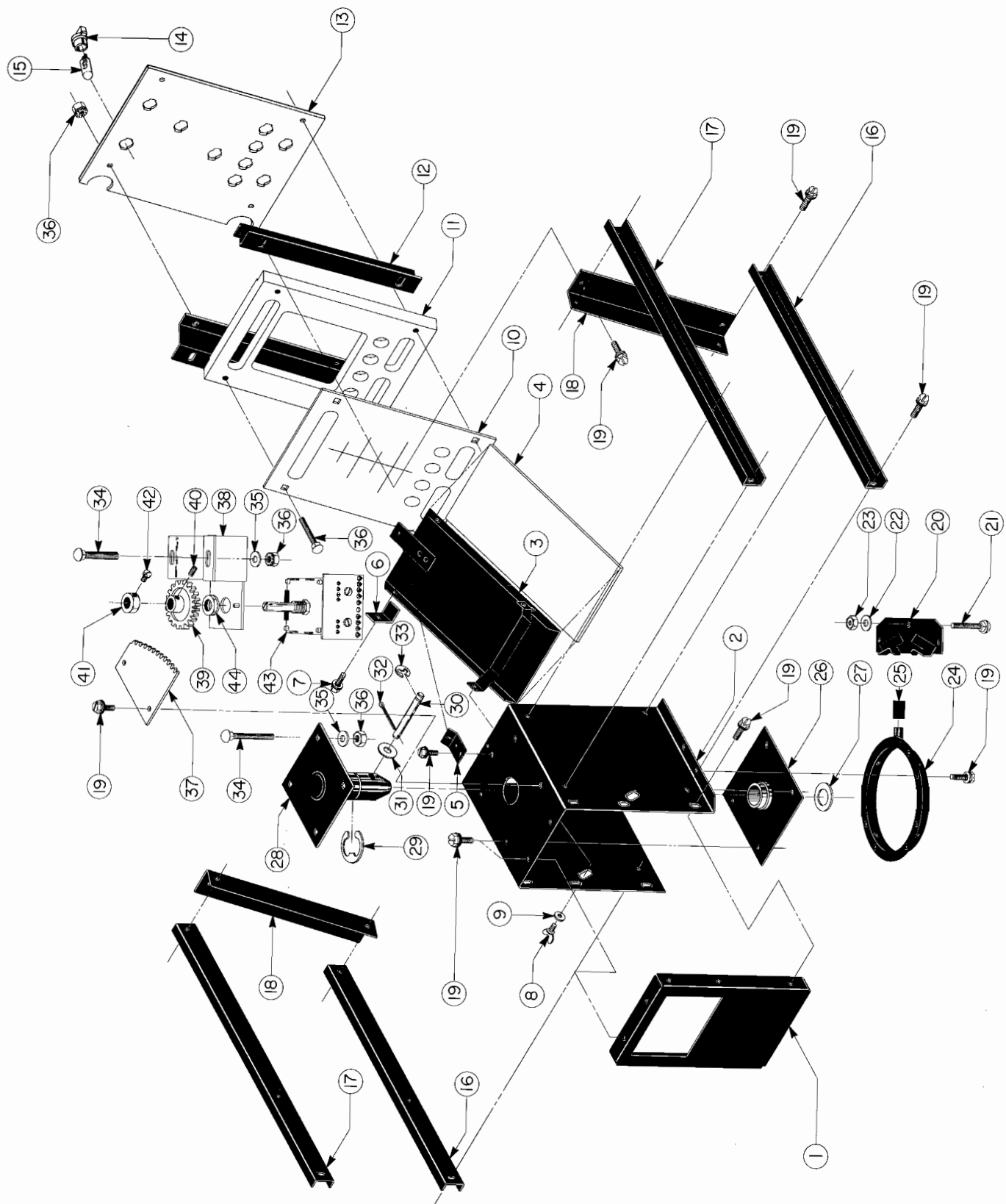
ORDER BY PART NUMBER ONLY

ITEM	PART NO	DESCRIPTION
1	0625-00901-00SC	UPPER DISPLAY PLEX – 24¼" x 10½"
2	0537-00903-0015	GLASS CHANNEL – 24.2" (2 REQ'D.)
3	0537-00903-0040	GLASS CHANNEL – 9.8" (2 REQ'D.)
4	0625-00102-01SC	SIDE WRAP AROUND PANEL – RIGHT
5	0625-00102-02SC	SIDE WRAP AROUND PANEL – LEFT
	0017-00101-0023	#8 x 3/8 PHIL. TRUSS HD. S.M.S. (6 REQ'D.)
6	0625-00900-01SC	LOWER DISPLAY PLEX – 31-3/16" x 19-5/16"
7	0537-00903-0039	GLASS CHANNEL – 31.1"
8	0537-00903-0019	GLASS CHANNEL – 18.5"
9	0537-00138-0800	GLASS LIFT CHANNEL – 31-11/16"
10	A625-00013-0000	PERISCOPE TUBE ASSY.
11	0612-00006-0000	PUSH BUTTON ASSY. (2 REQ'D.)
	0625-00905-00SC	BUTTON ESCUTHEON
	0586-00107-0000	MOUNTING BRACKET (2 REQ'D.)
	0586-00036-0000	SWITCH (2 REQ'D.)
	0020-00202-0000	SWITCH PLATE (2 REQ'D.)
	0017-00101-0521	#5-40 x 3/8 R.H.M.S. (4 REQ'D.)
12	A090-00020-02GR	DOUBLE ENTRY COIN DOOR ASSY. W/PLUG
13	0090-00002-02GR	COIN DOOR FRAME
	0017-00101-0555	#6-32 x 5/16 HEX HD. S.M.S. (3 REQ'D.) (MOUNTS DOOR TO FRAME)
14	0625-00908-0000	RUBBER MATT
15	0017-00102-0048	LEG LEVELERS (4 REQ'D.)
16	0017-00103-0026	LEG LEVELER NUTS (4 REQ'D.)
		<u>NOT SHOWN LIST</u>
	0017-00003-0204	25" COLOR MONITOR
	0625-00108-0100	COLOR MONITOR MTG. BRKT. – RIGHT
	0625-00108-0200	COLOR MONITOR MTG. BRKT. – LEFT
	0625-00118-0000	CHASSIS HOLD DOWN BRKT. (4 REQ'D.)
	0625-00904-0000	COLOR MONITOR BEZEL CARDBOARD
	0625-00910-0000	FISHPAPER SHIELD
	0017-00003-0198	23" MOTOROLA MONITOR (B&W VERSION)
	0017-00003-0199	23" PICTURE TUBE
	0625-00105-0100	FRONT T.V. MTG. BRKT. – RIGHT
	0625-00105-0200	FRONT T.V. MTG. BRKT. – LEFT
	0625-00106-0100	REAR T.V. MTG. BRKT. – RIGHT
	0625-00106-0200	REAR T.V. MTG. BRKT. – LEFT
	A625-00007-0000	CHASSIS & SHELF ASSY.

ORDER BY PART NUMBER ONLY

ITEM	PART NO	DESCRIPTION
	0592-00104-0100	CHASSIS MTG. BRKT. - RIGHT
	0592-00104-0200	CHASSIS MTG. BRKT. - LEFT
	0017-00101-0639	#8-32 x 1-1/4 CARRIAGE BOLTS (TOTAL REQ'D. FOR ALL BRKTS. - 12)
	0017-00104-0022	#8 STEEL WASHER (TOTAL REQ'D. FOR ALL BRKTS. - 12)
	0017-00103-0061	#8-32 HEX LOCKNUT S.E.M.S. (TOTAL REQ'D. FOR ALL BRKTS. - 12)
	0161-00100-0000	T.V. MOUNTING WASHERS (4 REQ'D.)
	A625-00035-0000	TUBE BEZEL ASSY.
	A161-00002-0000	DAG SPRING ASSY.
	3000-17155-0000	GROUND STRAP
	0596-00130-0000	GLASS LOCKING BRKTS. (2 REQ'D.)
	0596-00143-0000	GLASS LOCK LATCH (2 REQ'D.)
	0017-00101-0027	#8 x 3/4 WOOD SCREWS (TOTAL REQ'D. - 8)
	0625-00112-0000	GLASS RETAINING BRKTS. (2 REQ'D.)
	0017-00101-0028	#8 x 3/4 HEX HD. WD. SCRS. (4 REQ'D.)
	0625-00902-0000	REGULAR MIRROPANE - 31-7/8 x 12-1/4 - 1ST 750 GAMES
	0625-00902-0100	REGULAR MIRROPANE - 29-7/8 x 12-1/4 - POST 750 GAMES
	0625-00120-0000	MIRROR HOLD DOWN BRKTS. (2 REQ'D.)
	0017-00101-0017	#6 x 1/2 HEX HD. WD. SCRS. (4 REQ'D.)
	A625-00032-0000	DISPLAY INSERT ASSY. - CONSISTING OF NEXT 4 ITEMS)
	0017-00031-0027	SOCKETS (4 REQ'D.)
	0017-00031-0002	SOCKETS (5 REQ'D.)
	0017-00003-0052	LAMPS (9 REQ'D.)
	0017-00101-0018	#6 x 3/4 HEX. HD. WOOD SCREWS (2 REQ'D.)
	0567-00106-0000	SWITCH PLATE
	0586-00036-0000	ON-OFF SWITCH
	0625-00131-0000	PROTECTIVE STOOL TRIM

NO. 625 – SEA WOLF II – PERISCOPE MIRROR & LIGHT BOX ASSY.



ORDER BY PART NUMBER ONLY

ITEM	PART NO	DESCRIPTION
1	0596-00112-0000	BACK PLATE
2	0596-00109-0000	MIRROR HOUSING
3	0596-00005-0000	MIRROR MTG. PLATE ASSY.
4	0596-00911-0000	TOP PERISCOPE MIRROR
5	0596-00111-0000	MIRROR ADJUSTING BRACKET
6	0596-00115-0000	MIRROR MTG. CLIP (4 REQ'D.)
7	0017-00101-0555	#6-32 x 5/16 HEX HD. S/T M.S. (4 REQ'D.)
8	0017-00101-0784	#8-32 x 3/8 WING SCREW (2 REQ'D.)
9	0017-00104-0030	#8 STL. FLAT WASHER (2 REQ'D.)
10	0625-00906-00SC	LIGHT BOX ARTWORK – CROSS HAIRS
11	0625-00502-0000	CROSS HAIR LIGHT BOX
12	0596-00126-0000	LIGHT BOX MTG. BRKT. (2 REQ'D.)
13	A084-91100-A625	PRINTED CIRCUIT ASSY.
14	0017-00031-0029	MINATURE WEDGE BASE LAMP SOCKET (10 REQ'D.)
15	0017-00003-0219	LAMPS – 4 TOP POSITIONS (4 REQ'D.)
15	0017-00003-0218	LAMPS – 6 BOTTOM POSITIONS (6 REQ'D.)
16	0596-00121-0300	SUPPORT CHANNELS – 11-3/8" (2 REQ'D.)
17	0596-00121-0400	SUPPORT CHANNELS – 13" (2 REQ'D.)
18	0596-00127-0000	MOUNTING FLANGE – LIGHT BOX (2 REQ'D.)
19	0017-00101-0598	#8-32 x 5/16 HEX HD. S/T M.S. (33 REQ'D.)
20	A625-00002-0000	STOP BRKT. & MTG. PLATE
21	0017-00101-0701	#10-32 x 1-1/4 CARRIAGE BOLTS - M.S. (3 REQ'D.)
22	0017-00104-0004	#10 LOCKWASHER (3 REQ'D.)
23	0017-00103-0010	#10-32 HEX NUT (3 REQ'D.)
24	A625-00017-0000	FLANGE TUBE & STOP PIN ASSY. – LEFT
24	A625-00017-0100	FLANGE TUBE & STOP PIN ASSY. – RIGHT
25	0596-00921-0000	RUBBER STOP
26	0596-00007-0000	BEARING PLATE ASSY.
27	0017-00104-0056	1" I.D. x 1-1/2 O.D. x 1/16 STL. FLAT WASHER
28	A625-00012-0000	PIVOT SHAFT ASSY.
29	0017-00100-0107	1" E-RING
30	0625-00703-0000	CLEVIS PIN
31	0017-00104-0035	STEEL WASHER – 5/8 x 1/4 x 1/16
32	0017-00007-0046	1/16 x 1" COTTER PIN
33	0017-00100-0025	1/4" E-RING
34	0017-00101-0639	#8-32 x 1-1/4 CARRIAGE BOLTS M.S. (10 REQ'D.)
35	0017-00104-0022	#8 STEEL WASHER (6 REQ'D.)

NO. 625 – SEA WOLF II – PERISCOPE MIRROR & LIGHT BOX ASSY.

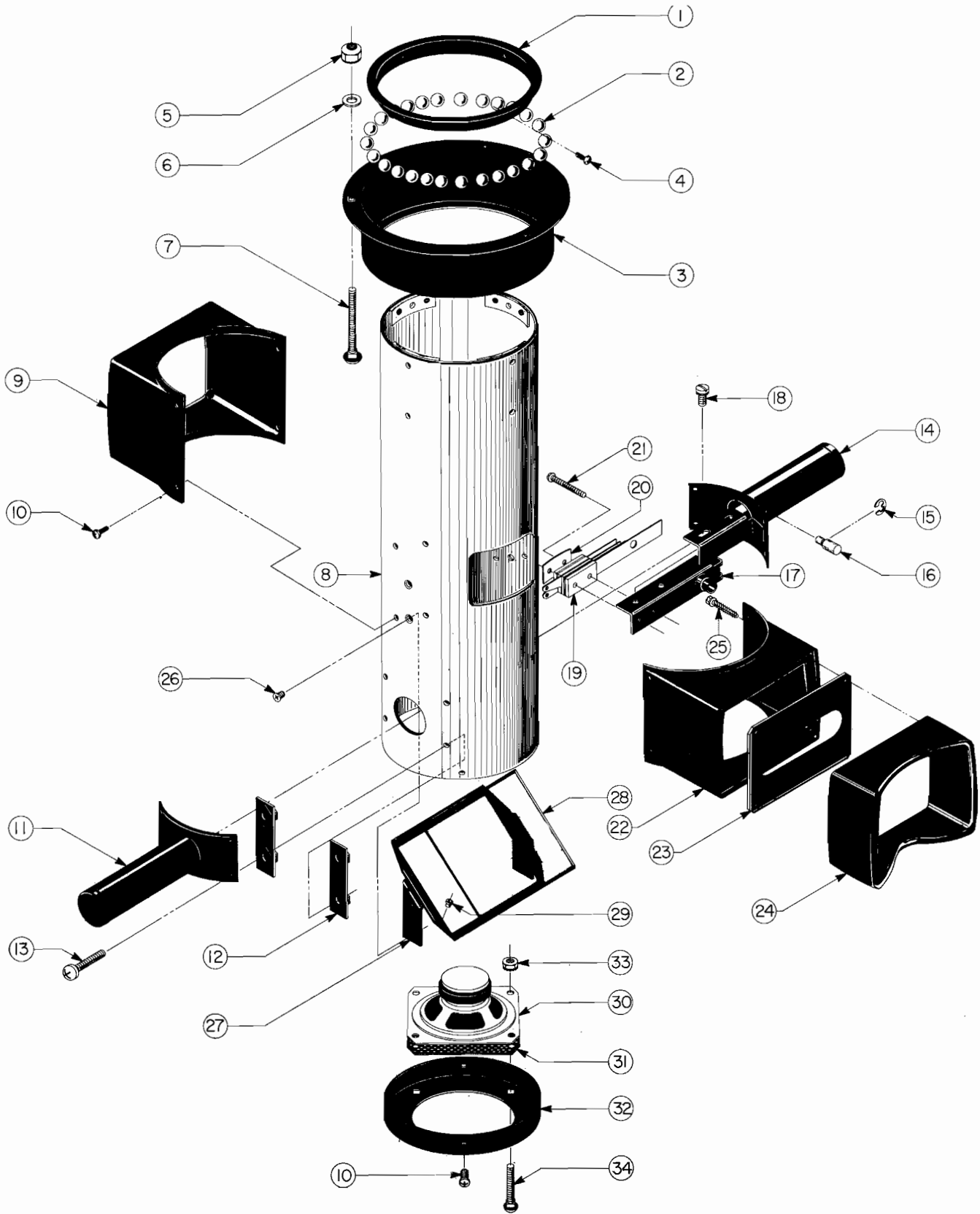
ORDER BY PART NUMBER ONLY

ITEM	PART N^o	DESCRIPTION
36	0017-00103-0061	#8-32 HEX LOCKNUT (10 REQ'D.)
37	0625-00103-0000	GEAR SEGMENT PLATE
38	0625-00121-0000	POT MTG. BRKT.
39	0625-00909-0000	GEAR (ENCODER)
40	0017-00101-0308	#8-32 SET SCREW (2 REQ'D.)
41	0567-00700-0000	ADJUSTMENT NUT
42	0017-00101-0301	#6-32 SET SCREW
43	A082-91101-A000	ANGLE ENCODER SWITCH ASSY.
44		HARDWARE FOR ITEM #43 CONSISTING OF 3/8 INT. LOCKWASHER & 3/8-32 NUT

NOTES

This space is provided for personal notes

NO. 625 – SEA WOLF II – PERISCOPE TUBE ASSEMBLY

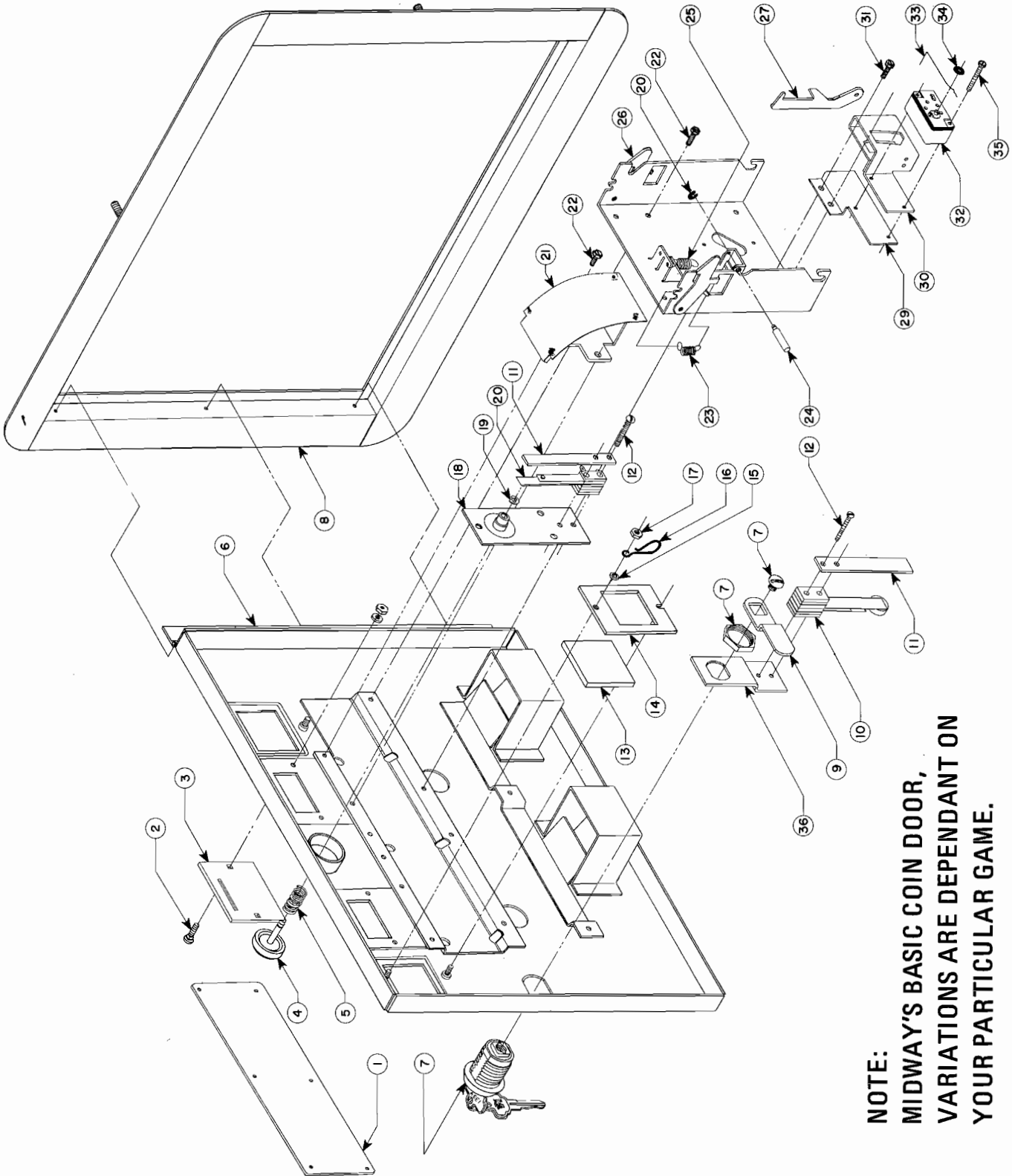


NO. 625 - SEA WOLF II - PERISCOPE TUBE ASSEMBLY

ORDER BY PART NUMBER ONLY

ITEM	PART NO	DESCRIPTION
1	0596-00107-0000	BALL RETAINER FLANGE
2	0017-00006-0052	STEEL BALL BEARING - 1/2" DIA. (37 REQ'D.)
3	0596-00100-0000	BEARING SUPPORT
4	0017-00101-0735	#10 x 1/2" LG. PHIL. PAN. HD. M.S. (4 REQ'D.)
5	0017-00103-0010	#10-32 HEX. NUT (3 REQ'D.)
6	0017-00104-0004	#10 LOCK WASHER (3 REQ'D.)
7	0017-00101-0701	#10-32 x 1-1/4 CARRIAGE BOLTS M.S. (3 REQ'D.)
8	0596-00018-0000	PERISCOPE TUBE & PLATE ASSY.
9	0596-00021-0000	FRONT EYE PIECE ASSY. (2 REQ'D.)
10	0017-00101-0734	#8 x 1/2 LG. PHIL. PAN. HD. M.S. (2 REQ'D.)
11	A625-00019-0200	HANDLE BRAZING ASSY. (NO HOLE)
12	0596-00022-0000	BACK UP PLATE ASSY. (4 REQ'D.)
13	0017-00101-0658	#10-32 x 5/8 LG. PHIL. HD. M.S. (8 REQ'D.)
14	A625-00020-0000	HANDLE SWITCH BRKT. WELDING ASSY.
15	0017-00100-0018	"E" RING
16	0625-00705-0000	BUTTON
17	A625-00022-0000	SWITCH MTG. BRKT. & BUSHING ASSY.
18	0017-00101-0593	#8-32 x 1/4 PAN. HD. SEMS M.S. (2 REQ'D.)
19	A625-00021-0000	TRIGGER SWITCH BLADE ASSY.
20	0020-00202-0000	SWITCH PLATE
21	0017-00101-0524	#5-40 x 1/2" LG. PAN HD. M.S. (2 REQ'D.)
22	0545-00904-0000	EYE PIECE BASE (2 REQ'D.)
23	0545-00100-0100	SCREENED FRONT GLASS (2 REQ'D.)
24	0545-00903-0000	EYE PIECE (2 REQ'D.)
25	0017-00101-0027	#8 x 3/4 LG. HEX HD. W/W S.M.S. (8 REQ'D.)
26	0017-00101-0694	#4-40 x 5/16 PAN HD. M.S. (4 REQ'D.)
27	0596-00002-0000	MIRROR BRKT. ASSY.
28	0596-00900-0000	PERISCOPE TUBE MIRROR
29	0017-00042-0115	SHOULDER WASHER (4 REQ'D.)
30	0017-00003-0161	SPEAKER
31	0625-00111-0000	SPEAKER GRILL
32	0625-00107-0000	PERISCOPE CAP
33	0017-00101-0061	#8-32 SEM LOCK NUT (4 REQ'D.)
34	0017-00101-0620	#8-32 x 1/2" CARRIAGE BOLTS M.S. (4 REQ'D.)

NO. 625 - SEA WOLF II - FRONT DOOR ASSY.

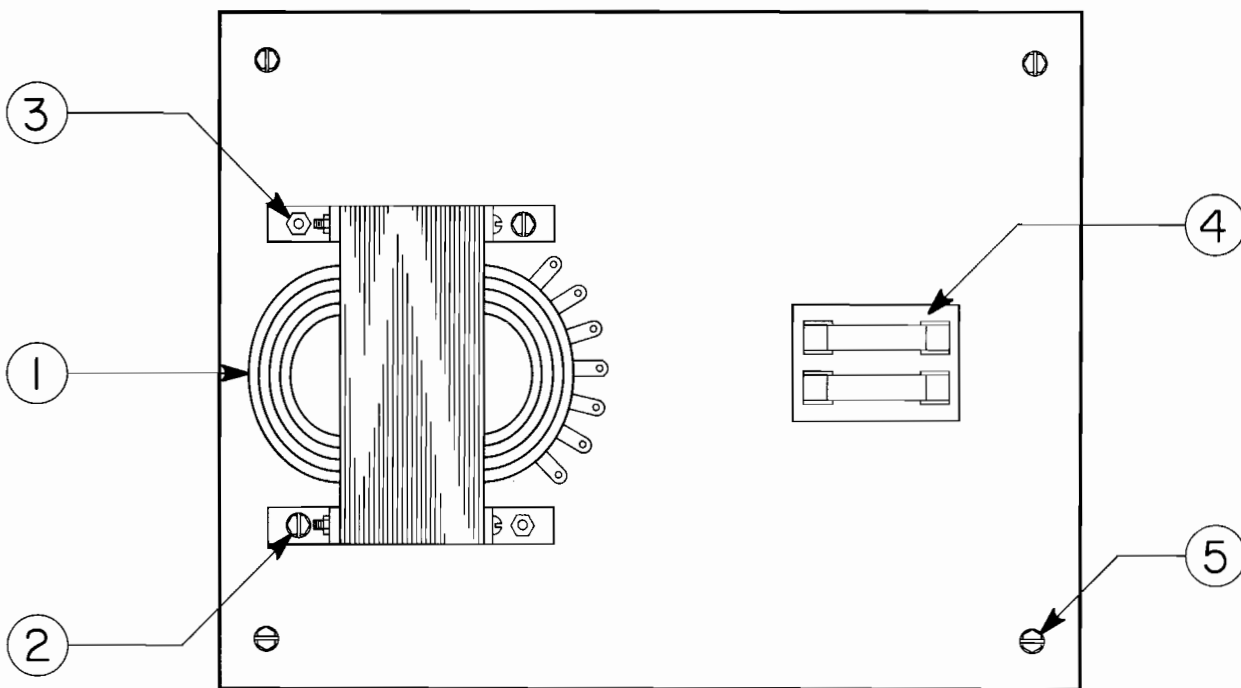


**NOTE:
MIDWAY'S BASIC COIN DOOR,
VARIATIONS ARE DEPENDANT ON
YOUR PARTICULAR GAME.**

ORDER BY PART NUMBER ONLY

ITEM	PART NO	DESCRIPTION
1	0090-00902-0000 0090-00902-0100	DRESS PLATE DRESS PLATE (W/O PRESS BUTTON TO START GAME)
2	0017-00101-0552	6-32 x 1/4 CARRIAGE BOLT (2)
3	0090-00117-0300	COIN ENTRY PLATE (25¢)
4	0090-00906-0000	PLASTIC START BUTTON
5	0010-00007-0000	COMPRESSION SPRING
6	0090-00013-0200	DOOR ASSY. DOUBLE ENTRY
7	0017-00005-0050	DOOR LOCK & KEY WITH SCREW & NUT
8	0090-00002-02BR	DOUBLE DOOR FRAME
9	0017-00005-0041	421 N.S. CAM
10	0090-00901-0000	DOOR SWITCH
11	0090-00126-0100	SWITCH BACKUP PLATE
12	0017-00101-0528	5-40 x 3/4" LNG. M.S.
13	0090-00903-0040	25¢ WINDOW
14	0090-00143-0000	COIN PLEX RETAINER
15	0017-00104-0002	SPLIT LOCK WASHER
16	0017-00007-0019	KEY HOOK
17	0017-00103-0005	6-32 HEX NUT
18	0090-00010-0000	SW. PLATE & OILLITE ASSY.
19	0017-00100-0018	"E" RING
20	0090-00131-0000	SWITCH
21	0090-00104-0000	TOP & BTM. COIN CHUTE W/BRKT. ASSY.
22	0017-00101-0598	8-32 x 5/16 SCREW
23	0010-00181-0100	SPRING
24	0090-00129-0000	PIVOT POST
25	0010-00134-0000	SPRING
26	0090-00008-0000	ACCEPTOR FRAME ASSY.
27	0093-00155-0000	REJECTOR LEVER
28	0017-00100-0012	"E" RING
29	0093-00151-0000	COIN GUIDE MTG. BRACKET
30	0090-00005-0000	COIN GUIDE ASSY.
31	0017-00101-0555	6-32 x 5/16 SCREW
32	0017-00005-0039	COIN SWITCH
33	0010-00557-2500	TRIP WIRE
34	0017-00007-0132	PUSH-ON RING (BIK)
35	0017-00101-0507	#4-36 x 3/4 SCREW
36	0090-00128-0000	SWITCH BRKT. - DOOR TILT

NO. 625 – SEA WOLF II – TRANSFORMER BOARD ASSY.



NO. 625 – SEA WOLF II – TRANSFORMER BOARD ASSY.

ORDER BY PART NUMBER ONLY

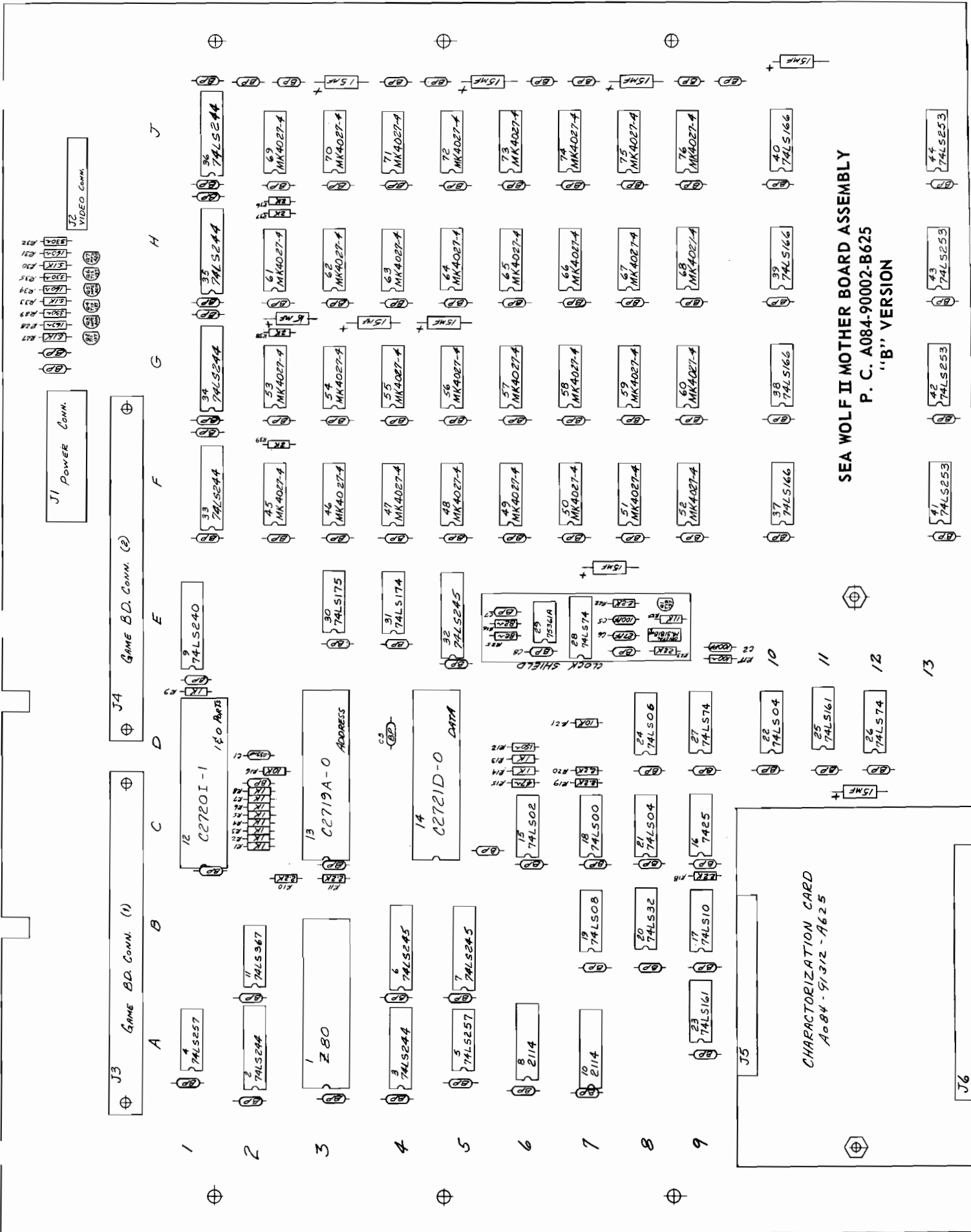
ITEM	PART N ^o	DESCRIPTION
1	MT00-00065-A000	TRANSFORMER – 60 CYCLE OR
1	MT00-00066-0000	TRANSFORMER – 50 CYCLE – (FOREIGN)
2	0017-00101-0025	#8 x 1/2 SLOT HEX HD. S.M.S. (2 REQ'D.)
3	0017-00101-0692	#8-32 x 7/8 CARRIAGE BOLTS (2 REQ'D.)
	0017-00103-0008	W #8-32 HEX NUT (2 REQ'D.)
4	0720-00001-0000	FUSE BLOCK ASSY. (2 POSITION)
5	0017-00101-0030	#8 x 1" HEX HD. WD. SCREW (4 REQ'D.)
		NOT SHOWN
	0017-00101-0017	#6 x 1/2 HEX HD. S.M.S. (5 REQ'D.)
	0017-00003-0064	LINE CORD

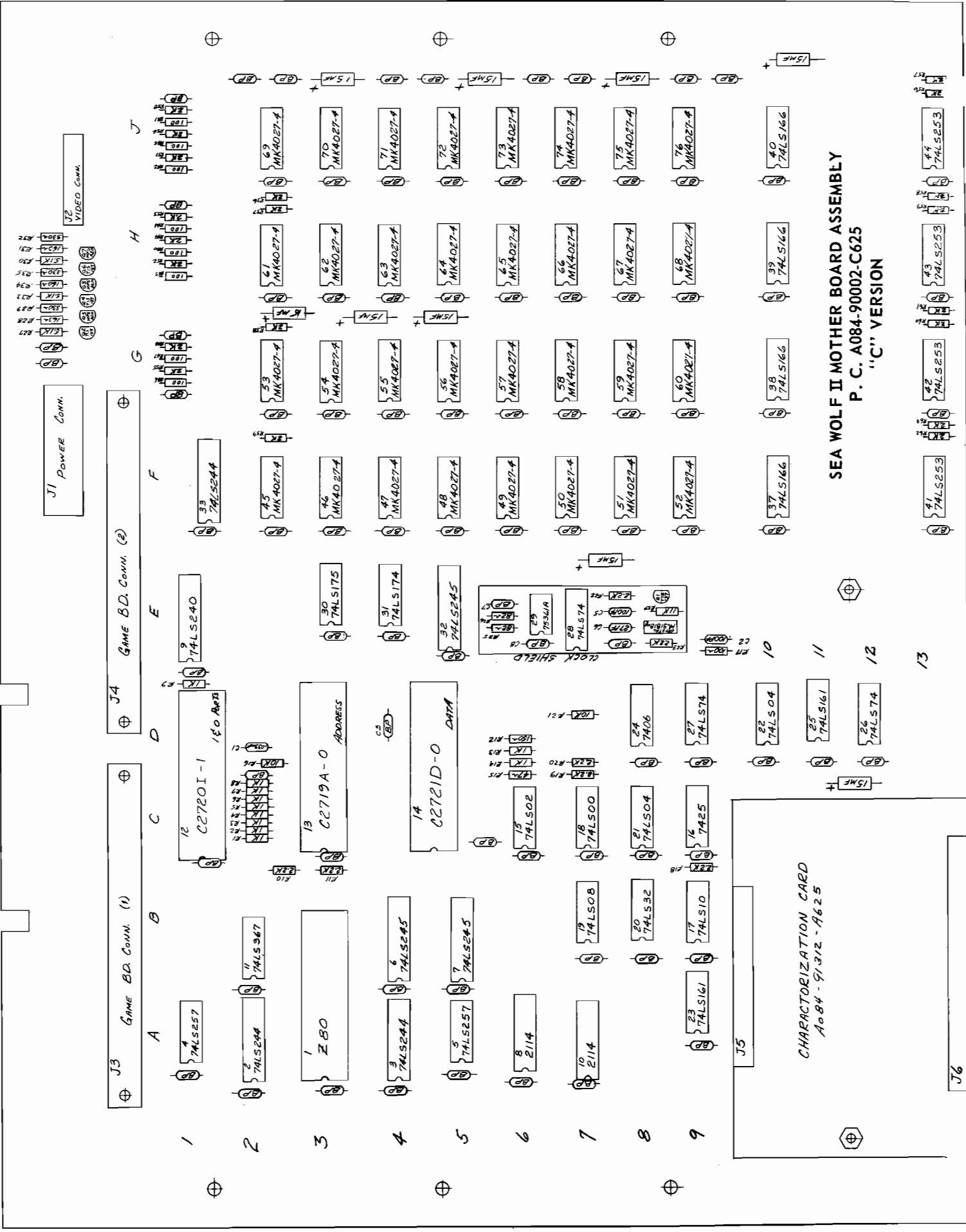
NO. 625 – SEA WOLF II – ADDITIONAL PARTS LIST

ORDER BY PART NUMBER ONLY

ITEM	PART NO	DESCRIPTION
	A625-00005-0000	UPPER BACK DOOR ASSY.
	A625-00006-0000	LOWER BACK DOOR ASSY.
	A097-00001-0000	LOCK ASSY. (1 REQ'D.-UPPER, 1 REQ'D.-LOWER)
	A625-00028-0000	CASH BOX ASSY.
	A625-00023-0000	CASH BOX COVER ASSY.
	A625-00024-0000	CASH BOX GUIDE BRKT. ASSY.
	0625-00117-0000	CASH BOX SIDE CHANNELS
	0017-00101-0628	#8-32 x 3/4 CARRIAGE BOLTS (4 REQ'D.)
	0017-00104-0022	#8 STL. WASHER (4 REQ'D.)
	0017-00103-0061	#8-32 HEX LOCKNUT S.E.M.S. (4 REQ'D.)
	0017-00003-0102	COUNTER METER (MOUNTS TO COIN DOOR)
	0625-00912-0000	FISHPAPER CABLE SHIELD
	0017-00009-0009	TURN BUTTONS (2 REQ'D.)
	A625-00030-0000	ROTARY ENCODER & BRKT. ASSY. (2 REQ'D.)
	A597-00012-0100	P.C. SUPPORT BRKT. ASSY. – RIGHT
	A597-00012-0200	P.C. SUPPORT BRKT. ASSY. – LEFT
	0624-00902-0100	P.C. SUPPORT BRKT. – 12" (2 REQ'D. - POWER SUPPLY, 2 REQ'D. - MOTHER & GAME BRD.)
	0624-00902-0300	P.C. SUPPORT BRKT. – 2-1/2" (2 REQ'D. - POWER SUPPLY, 2 REQ'D. – MOTHER & GAME BRD.)
	0017-00101-0017	#6 x 1/2 HEX HD. WOOD SCREWS (20 REQ'D. - TOTAL REQ'D. FOR ALL P.C. SUPPORT BRKTS.)
	A084-90002-B625	MOTHER BOARD ASSY. (B-VERSION)
	A084-90002-C625	MOTHER BOARD ASSY. (C-VERSION)
	A084-90700-D625	GAME BOARD ASSY. (D-VERSION)
	A084-90700-E625	GAME BOARD ASSY. (E-VERSION)
	A625-00018-0000	TRANSFORMER BOARD ASSY.
	A082-90401-B000	POWER SUPPLY BOARD
	A084-91312-B625	CHARACTERIZATION CARD
	0017-00009-0419	PIN EXTRACTOR TOOL (PIN POPPER)

SEA WOLF II MOTHER BOARD ASSEMBLY
P. C. A084-90002-B625
"B" VERSION





SEA WOLF II MOTHER BOARD ASSEMBLY
P. C. A084-90002-C625
"C" VERSION

CHARACTERIZATION CARD
A084-97312-A625

12 PIN

7 PIN

6 PIN

5 PIN

A14F
A14F

- 10,000MF 35V. +
ELECTROLYTIC AXIAL

270Ω 1W

36Ω

100Ω POT

0.1MF

0.1MF

A15F

2N4143

2N4143

2N4125

22MF
+ 25V.
TANT.

A15F

100Ω

3.6K

15Ω

1K 1W

A15F

1K

10K

1K

2.2K

A15F

10K

10K

IN4001

- 20,000MF 16V. +
ELECTROLYTIC AXIAL

.018Ω 20% FUSE

IC 80 COMP
FERRITE BEAD

2.7K

100 PF.

2N3055

IN4001

IN4001

IN4001

IN4001

IN4001

IN4001

IN4001

IN4001

IN4001

IN4001

IN4001

IN4001

IN4001

IN4001

IN4001

IN4001

2000MF 25V. +
ELEC. AXIAL

100Ω POT

175Ω

36Ω

+

470ME 16V.
RADIAL

100Ω POT

36Ω

0.1MF

+

200Ω

100Ω POT

100Ω

47ME
+ 25V.
TANT.

+

100Ω

470Ω

10MF
+ 16V.
TANT.

10Ω

10MF

16V.

TANT.

A15F

- 4700MF 25V. +
ELEC. AXIAL

A15F

A15F

A15F

A15F

A15F

A15F

A15F

- 4700MF 25V. +
ELEC. AXIAL

A15F

A15F

A15F

A15F

A15F

A15F

A15F

- 4700MF 25V. +
ELEC. AXIAL

A15F

A15F

A15F

A15F

A15F

A15F

A15F

- 4700MF 25V. +
ELEC. AXIAL

A15F

A15F

A15F

A15F

A15F

A15F

A15F

- 4700MF 25V. +
ELEC. AXIAL

A15F

A15F

A15F

A15F

A15F

A15F

A15F

- 4700MF 25V. +
ELEC. AXIAL

A15F

A15F

A15F

A15F

A15F

A15F

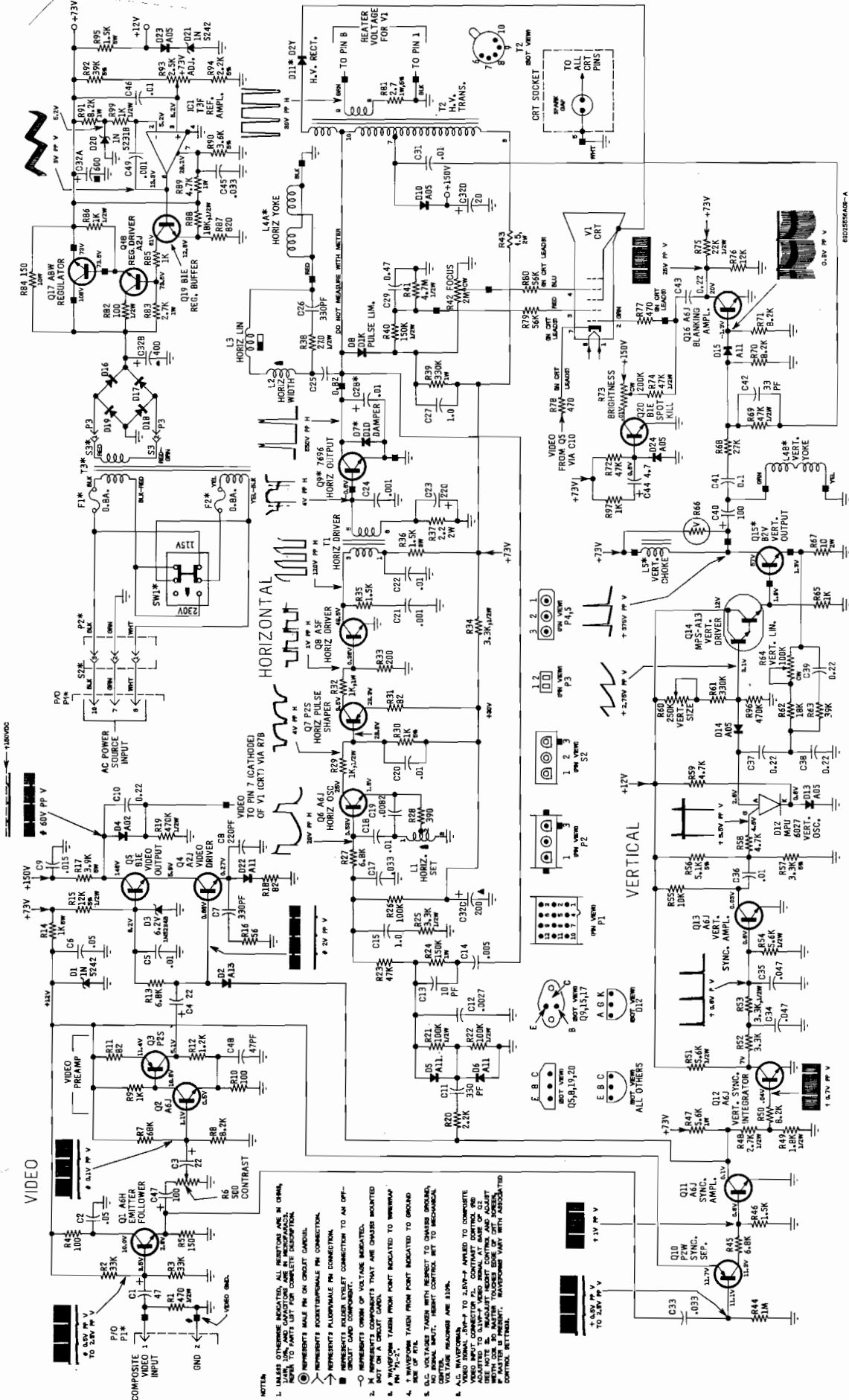
POWER SUPPLY
AO82-90401-B000

78M08

79M08

7812

POWER SUPPLY



VIDEO

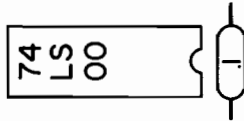
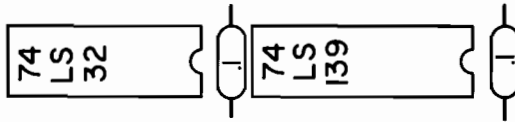
HORIZONTAL

VERTICAL

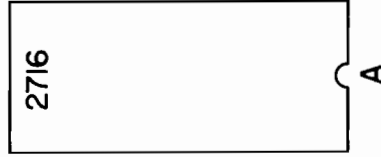
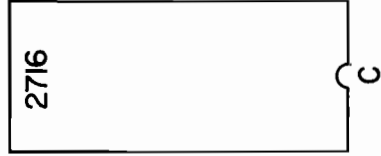
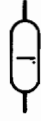
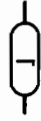
- NOTE:
1. UNLESS OTHERWISE INDICATED, ALL RESISTORS ARE IN OHMS, CAPACITORS IN P.F. UNLESS OTHERWISE INDICATED.
 2. PARTS LIST FOR COMPLETE DESCRIPTION.
 3. REPRESENTS HALF PIN ON CIRCULAR CONNECTOR.
 4. REPRESENTS ROSETTE-TYPE PIN CONNECTION.
 5. REPRESENTS ALTERNATE PIN CONNECTION.
 6. REPRESENTS BUBBLER-EYELET CONNECTION TO AN OFF-CIRCUIT BOARD COMPONENT.
 7. REPRESENTS POINT-TO-POINT CONNECTION.
 8. WAVEFORM TAKEN FROM POINT INDICATED BY WAVEFORM SYMBOL ON A CIRCULAR BOARD.
 9. ALL VOLTAGES TAKEN FROM POINT INDICATED TO GROUND, UNLESS OTHERWISE INDICATED.
 10. ALL VOLTAGES TAKEN WITH RESPECT TO CHASSIS GROUND, UNLESS OTHERWISE INDICATED.
 11. VOLTAGE MEASUREMENTS ARE D.C.
 12. VIDEO INPUT CONNECTOR PIN CONTAINING CONTROL LINE IS TO BE USED TO ADJUST BRIGHTNESS AND CONTRAST CONTROLS. VIDEO INPUT CONNECTOR WITH ASSOCIATED CONTROL TERMINAL.

M5000-155, M7000-155 - Diagram Schematic

P.C. A084-91312-B625 SEA WOLF II

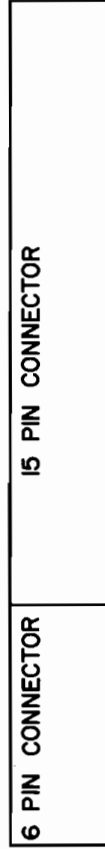


#1

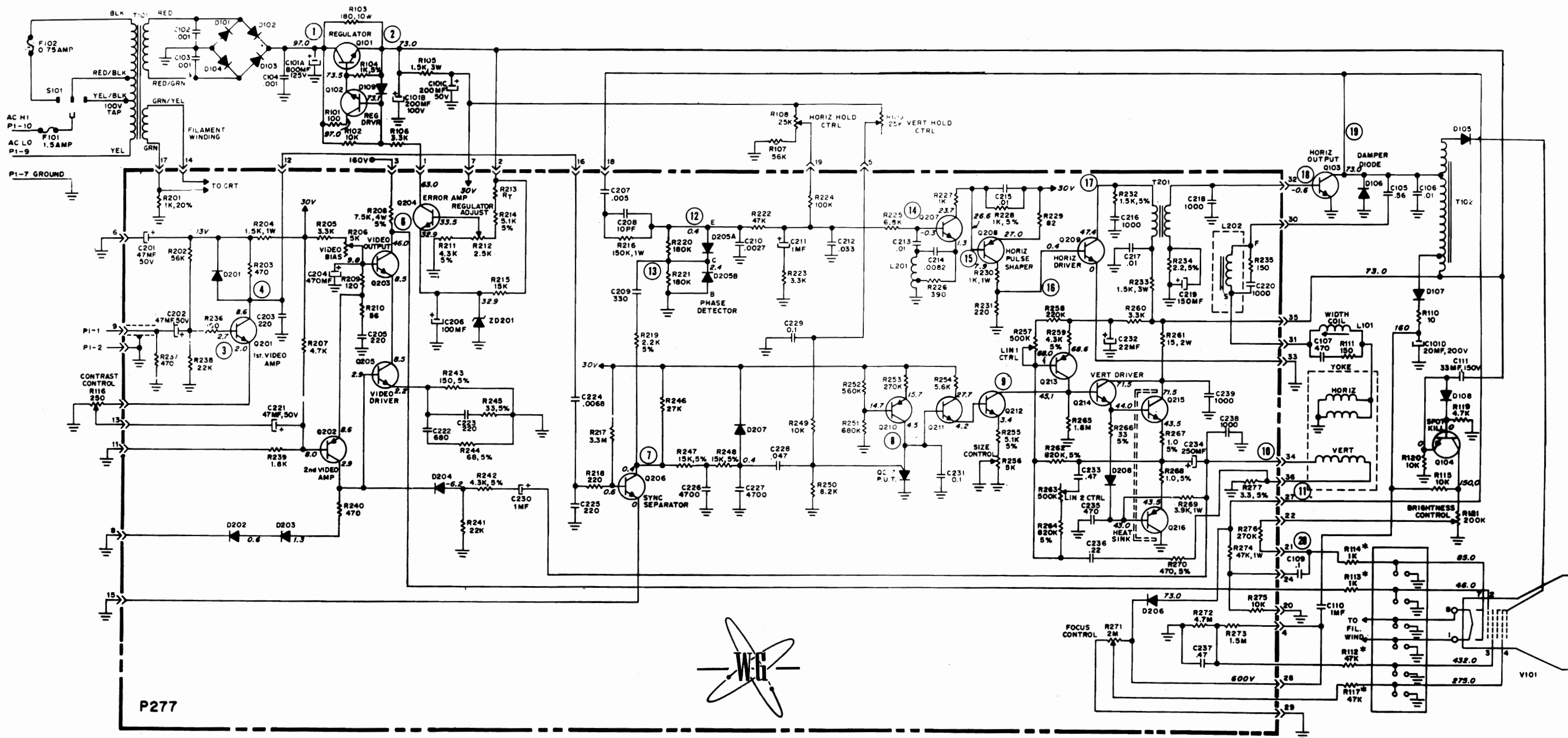


DNA
MIDWAY MFG. CO.
A BALLY CO.

CHARACTERIZATION CARD



#1



NOTES:

1. VOLTAGE MAY VARY WITH CONTROL SETTING.
2. LINE VOLTAGE MAINTAINED AT 120VAC, 50/60Hz.
3. ALL D.C. VOLTAGES 10% MEASURED FROM POINT INDICATED TO CHASSIS USING HIGH IMPEDANCE METER WITH NO SIGNAL INPUT. CONTRAST AND BRIGHTNESS CONTROLS AT MAXIMUM; ALL OTHER CONTROLS IN NORMAL OPERATING POSITION.
4. ○ - WITH INTERNAL NUMBER INDICATES LOCATION OF WAVE FORM READING.

WELLS - GARDNER ELECTRONICS

CORPORATION

2701 N. KILDARE AVE. • CHICAGO, ILL. 60639 • ALBANY 2-8220

TELEX 25-3286

NOTES:

- * INDICATES RESISTORS LOCATED IN PICTURE TUBE LEAD ASSEMBLY.
- RESISTANCE VALUES IN OHMS, 1/2 WATT, 10% UNLESS OTHERWISE NOTED. K=1,000 M=1,000,000
- CAPACITANCE VALUES OF 1 OR LESS ARE IN MICROFARADS. ABOVE 1 IN PICOFARADS UNLESS OTHERWISE NOTED.

Model No.
V1001-5734

REPLACEMENT PARTS LIST

CHASSIS PARTS

CAPACITORS

C101A, B, C, D	45X0558-001	800 μ F/125V, 200 μ F/100V 200 μ F/50V, 20 μ F/200V Electrolytic
C102, 103 104	80X0001-000	.001 μ F, GMV Z5U Cer. Disc.
★C105	342X5642-049	.56 μ F, 400V, 10% Polypropylene
★C106	46X0536-001	.01 μ F, 1200V, 5% Polypropylene
C107	80X0099-006	470 pF, Z5F, 10%
C109	342X1044-040	0.1 μ F, 400V, 20% Mylar
★C110	46X0540-002	1.0 μ F, 630V, 10% Polyester Film
C111	45X0515-032	33 μ F, 150V, Electrolytic

CONTROLS

R108, 109	40X0585-091	25k Ohm, Horiz. & Vert. Hold
R116	40X0585-090	250 Ohm, Contrast
R121	40X0585-092	200k Ohm, Brightness

COILS & TRANSFORMERS

★L101	9A2787-001	Coil, Width
★T101	53X0475-001	Transformer, Power
★T102	53X0474-001	Transformer, Flyback

RESISTORS

R101	340X3101-941	100 Ohm, 10%, 1/2W
R102, 115, 120	340X3103-941	10k Ohm, 10%, 1/2W
★R103	340X0181-341	180 Ohm, 10%, 10W, WW
R104	340X3102-931	1k Ohm, 5%, 1/2W
★R105	340X6152-341	1.5k Ohm, 10%, 3W, WW
R106	340X3332-941	3.3k Ohm, 10%, 1/2W
R107	340X3563-941	56k Ohm, 10%, 1/2W
R110	340X3100-941	10 Ohm, 10%, 1/2W
R111	340X3151-941	150 Ohm, 10%, 1/2W
R119	340X3472-941	4.7k Ohm, 10%, 1/2W

SEMICONDUCTORS

D101, 102 103, 104	66X0023-009	Rectifier, Silicon 500V 1N444B
★D105	66X0067-001	Rectifier Varo H1802
★D106	66X0068-001	Diode, Damper MR1-1600
D107	66X0053-001	Diode, 350V Amperex BA148
D108, 109	66X0046-001	Diode, Silicon FDH444
★Q101	86X0117-001	Transistor (NPN) 2N5632 Regulator
Q102	86X0071-001	Transistor (NPN) Reg. Driver MPSA06
★Q103	86X0118-001	Transistor (NPN) BU207 Hor. Output
Q104	86X0065-001	Transistor (NPN) D40N5 Spot Kill

MISCELLANEOUS

★F101	16X0171-001	Fuse Holder
★F102	16X0176-001	Fuse, 1.5 Amp, Slo-Blo 3AG
★	16X0175-001	Fuse, 0.75 Amp, Slo-Blo 3AG
★	13X1201-001	HV Lead & Recept. Assy.
★	28X0789-001	Spring, Dag, Grounding
★	9A2786-001	Deflection Yoke & Clamp
★V101	19VARP4	CRT (19V1001)
or	or	
★V101	22VATP4	CRT (22V1001)

REPLACEMENT PARTS LIST P277 CIRCUIT BOARD ASSY.

CAPACITORS

C201, 202, 221	45X0524-027	47 μ F, 50V, Electrolytic
C203, 205, 223, 225	80X0099-057	220 pF, 10%, Z5F, Cer. Disc.
C204	45X0524-053	470 μ F, 16V, Electrolytic
C206	45X0524-051	100 μ F, 50V, Electrolytic
C207	80X0099-192	.005 μ F, 20%, 1KV, Cer. Disc.
C208	80X0099-036	10 pF, 10%, 500V, Cer. Disc.
C209	80X0099-013	330 pF, 10%, 500V, Cer. Disc.
C210	349X4722-109	.0027 μ F, 10%, Mylar
C211	45X0524-023	1.0 μ F, 15V, Electrolytic
C212	349X3332-109	.033 μ F, Mylar
C213	46X0537-002	.01 μ F, Poly
C214	46X0537-003	.0082 μ F, Poly
C215	349X1032-109	.01 μ F, 10%, 100V Mylar
C216, 218, 220, 238, 239	80X0099-076	1000 pF, 10%, 500V, Cer. Disc.
C217	349X1032-209	.01 μ F, 10%, 200V, Mylar
C219	45X0524-052	150 μ F, 10V, Electrolytic
C222	80X0099-137	680 pF, 10%, 500V, Cer. Disc.
C224	349X6822-109	.0068 μ F, 10%, 100V, Mylar
C226, 227	80X0099-056	4700 μ F, 10%, 500V, Cer. Disc.
C228	349X4732-109	.047 μ F, 10%, 100V, Mylar
C229	349X1044-109	0.1 μ F, 20%, 100V, Mylar
C230	45X0515-014	1.0 μ F, 50V, Electrolytic
C231	349X1042-109	0.1 μ F, 10%, 100V, Mylar
C232	45X0524-026	22 μ F, 100V, Electrolytic
C233	349X4742-109	.47 μ F, 10%, 100V, Mylar
C234	45X0524-025	250 μ F, 100V, Electrolytic
C235	80X0099-006	470 pF, 10%, Z5F, Cer. Disc.
C236	349X2242-109	.22 μ F, 10%, 100V, Mylar
C237	46X0540-001	.47 μ F, 10%, 630V, Polyester Film

CONTROLS

R206, 256	40X0592-008	5k Ohm, Video Output, Size
R212	40X0585-093	2.5k Ohm, Reg. Adj.
R257, 263	40X0592-004	500k Ohm, Lin 1 & 2
R271	40X0585-094	2M Ohm, Focus

COILS & TRANSFORMERS

★L201	9A2788-001	Horiz. Osc.
★L202	9A2789-001	Horiz. Lin.
★T201	52X0126-001	Horiz. Driver

RESISTORS

R201	340X3102-954	1k Ohm, 20%, 1/2W
R202	340X3563-944	56k Ohm, 10%, 1/2W
R203, 237, 240	340X3471-944	470 Ohm, 10%, 1/2W
★R204	340X4152-843	1.5k Ohm, 10%, 1.0W
R205, 223, 260	340X3332-944	3.3k Ohm, 10%, 1/2W
R207	340X3472-944	4.7k Ohm, 10%, 1/2W
★R208	340X7752-733	7.5k Ohm, 5%, 4.0W
R209	340X3121-944	120 Ohm, 10%, 1/2W
R210	340X3560-944	56 Ohm, 10%, 1/2W
R211, 242, 259	340X3432-934	4300 Ohm, 5%, 1/2W
R213	43X0467-001	Thermistor
R214, 255	340X3512-934	5.1k Ohm, 5%, 1/2W
R215	340X3153-944	15k Ohm, 10%, 1/2W
★R216	340X4154-843	150k Ohm, 10%, 1.0W
R217	340X3335-944	3.3M Ohm, 10%, 1/2W
R218, 231	340X3221-944	220 Ohm, 10%, 1/2W
R219	340X3222-934	2.2k Ohm, 5%, 1/2W

RESISTORS (Cont'd.)

R220, 221	340X3184-944	180k Ohm, 10%, 1/2W
R222	340X3473-944	47k Ohm, 10%, 1/2W
R224	340X3104-944	100k Ohm, 10%, 1/2W
R225	340X3682-944	6.8k Ohm, 10%, 1/2W
R226	340X3391-944	390 Ohm, 10%, 1/2W
R227	340X3102-944	1k Ohm, 10%, 1/2W
R228	340X3102-934	1k Ohm, 5%, 1/2W
R229	340X3820-944	82 Ohm, 10%, 1/2W
★R230	340X4102-843	1k Ohm, 10%, 1.0W
R232	340X3152-934	1.5k Ohm, 5%, 1/2W
★R233	340X6152-743	1.5k Ohm, 10%, 3.0W
R234	340X5022-333	2.2 Ohm, 5%, 2.0W
R235	340X3151-944	150 Ohm, 10%, 1/2W
R236	340X3101-944	100 Ohm, 10%, 1/2W
R238, 241	340X3223-944	22k Ohm, 10%, 1/2W
R239	340X3182-944	1.8k Ohm, 10%, 1/2W
R243	340X3151-934	150 Ohm, 5%, 1/2W
R244	340X3680-934	68 Ohm, 5%, 1/2W
R245, 266	340X3330-934	33 Ohm, 5%, 1/2W
R246	340X3273-944	27k Ohm, 10%, 1/2W
R247, 248	340X3153-934	15k Ohm, 5%, 1/2W
R249, 275	340X3103-944	10k Ohm, 10%, 1/2W
R250	340X3822-944	8.2k Ohm, 10%, 1/2W
R251	340X3684-944	680k Ohm, 10%, 1/2W
R252	340X3564-944	560k Ohm, 10%, 1/2W
R253, 276	340X3274-944	270k Ohm, 10%, 1/2W
R254	340X3562-944	5.6k Ohm, 10%, 1/2W
R258	340X3224-944	220k Ohm, 10%, 1/2W
★R261	340X5150-843	15 Ohm, 10%, 2.0W
R262, 264	340X3824-934	820k Ohm, 5%, 1/2W
R265	340X3185-944	1.8M Ohm, 10%, 1/2W
R267, 268	340X3010-934	1 Ohm, 5%, 1/2W
R269	340X4392-843	3.9k Ohm, 10%, 1/2W
R270	340X3471-934	470 Ohm, 5%, 1/2W
R272	340X3475-944	4.7M Ohm, 10%, 1/2W
R273	340X3155-944	1.5M Ohm, 10%, 1/2W
★R274	340X4473-843	47k Ohm, 10%, 1.0W
R277	340X3033-934	3.3 Ohm, 5%, 1/2W

SEMICONDUCTORS

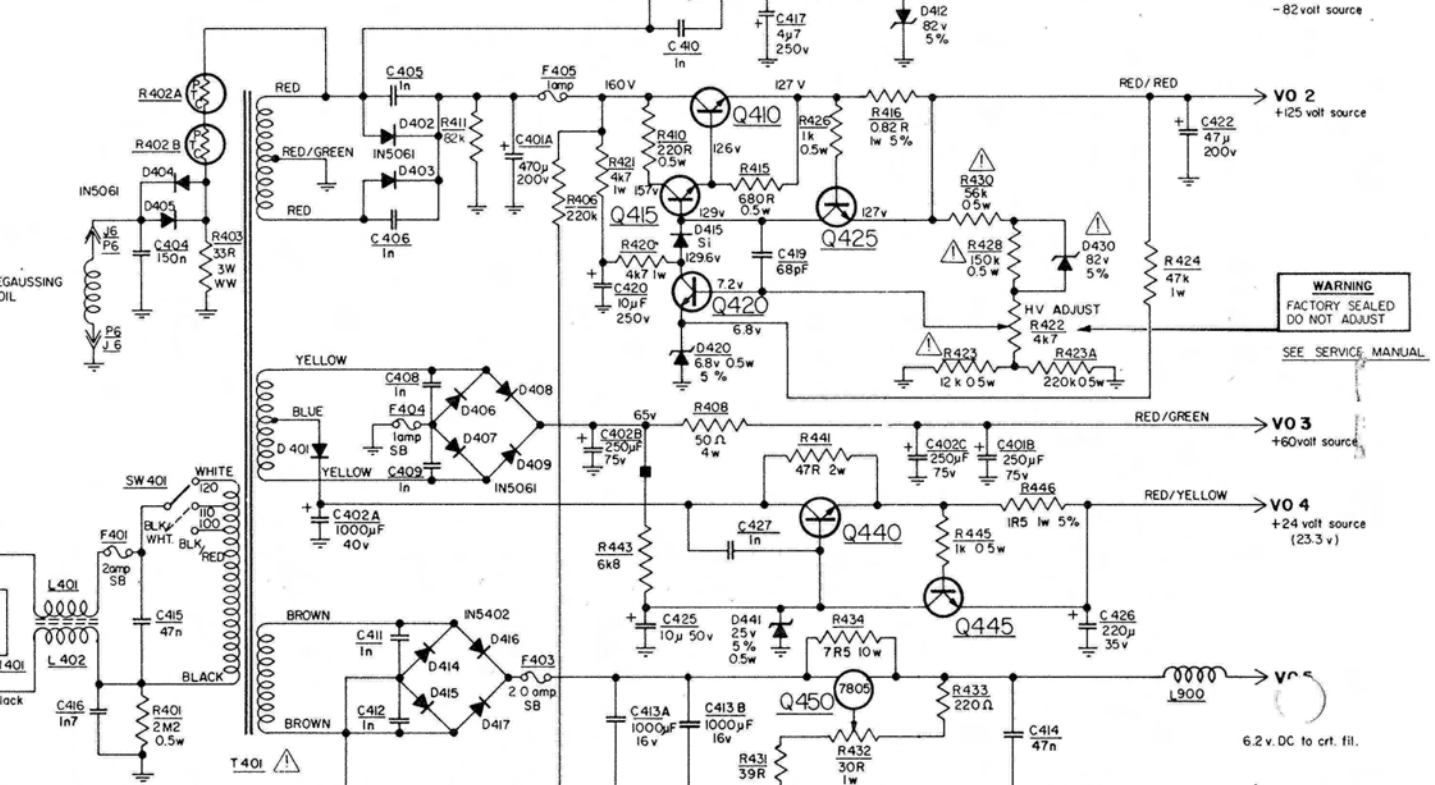
D201, 202, 203, 204, 207, 208	66X0046-001	Diode, Silicon FDH444
D205A, 205B	66X0066-001	Diode, Dual, MSD6102
D206	66X0054-002	Diode, RCA D2102SF
Q201, 205, 206	86X0113-001	Transistor (NPN) 2N3904
Q202, 208	86X0114-001	Transistor (PNP) 2N3906
Q203	86X0071-001	Transistor (NPN)
Q204, 212	86X0071-001	Transistor (NPN) MPSA06
Q207, 211	86X0058-002	Transistor (NPN) MPSA20
Q209	86X0116-001	Transistor Horiz, Driver (NPN) 2N6557
Q210	86X0066-001	Transistor (PNP) MPSA70
Q213	86X0072-001	Transistor (PNP) MPSA56
Q214	86X0073-001	Transistor (NPN) MPSU07
Q215	86X0074-001	Transistor (NPN) 2N5192
Q216	86X0075-001	Transistor (PNP) 2N5195
Q217	86X0070-001	Transistor (P.U.T.) MPU131
ZD201	66X0040-004	Diode, Zener 31V

MISCELLANEOUS

38A5395-000	Pix Socket & Connector Assy.
-------------	------------------------------

★ Product Safety Device

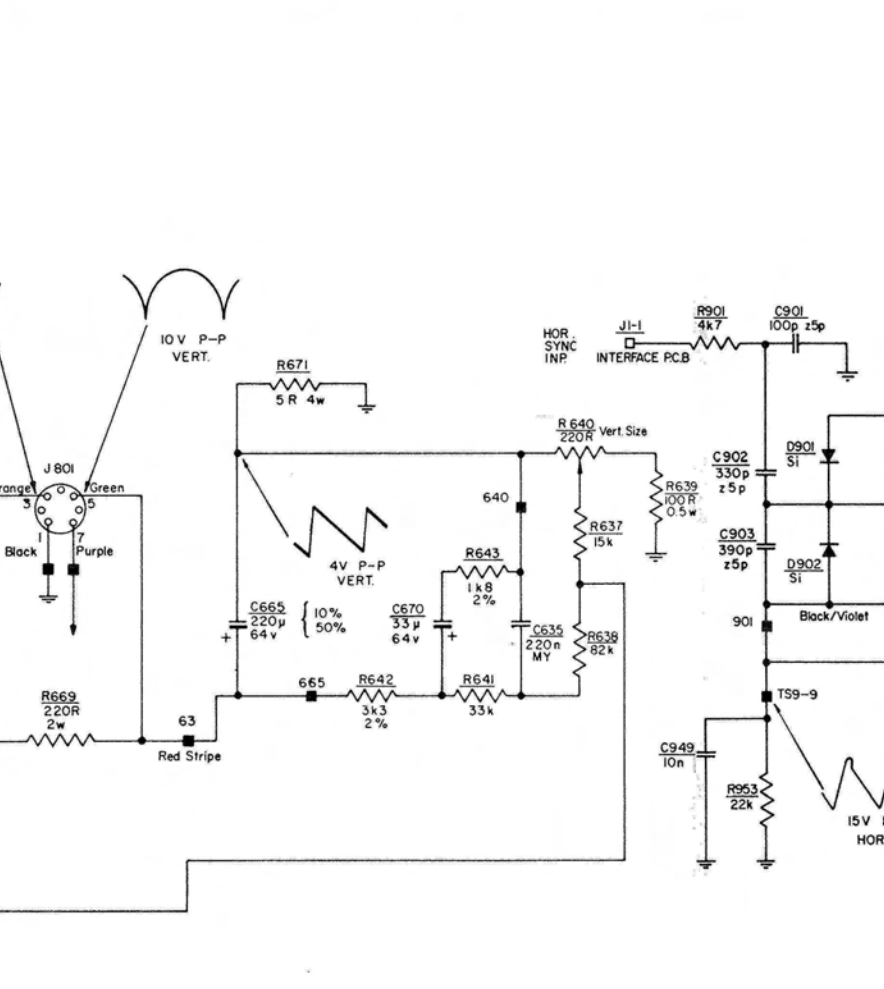
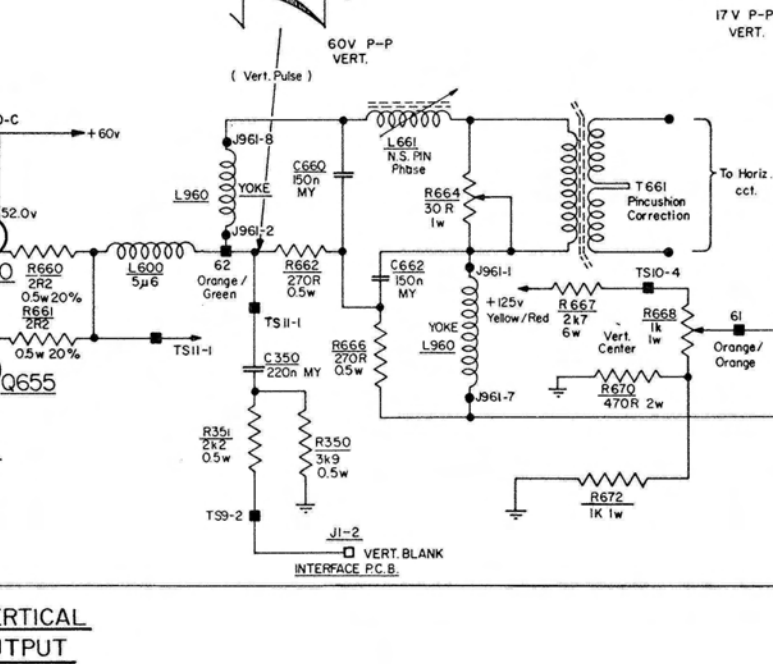
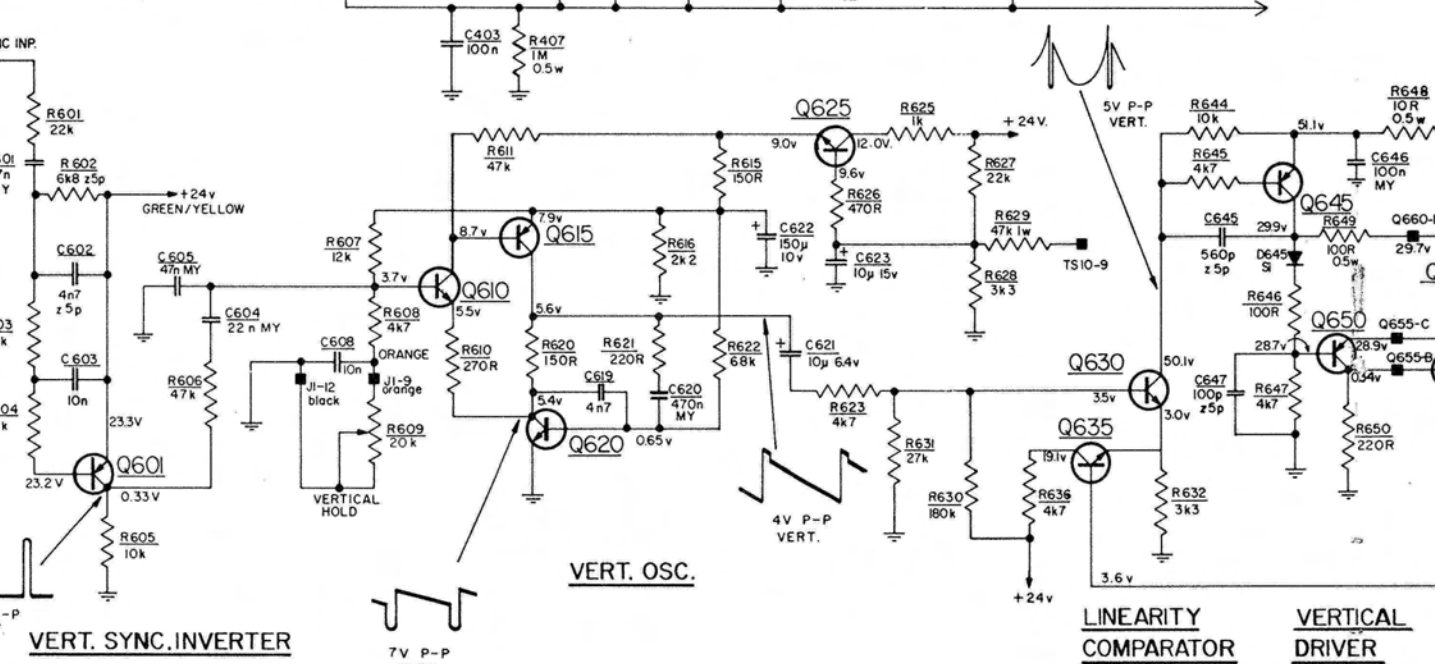
POWER SUPPLY



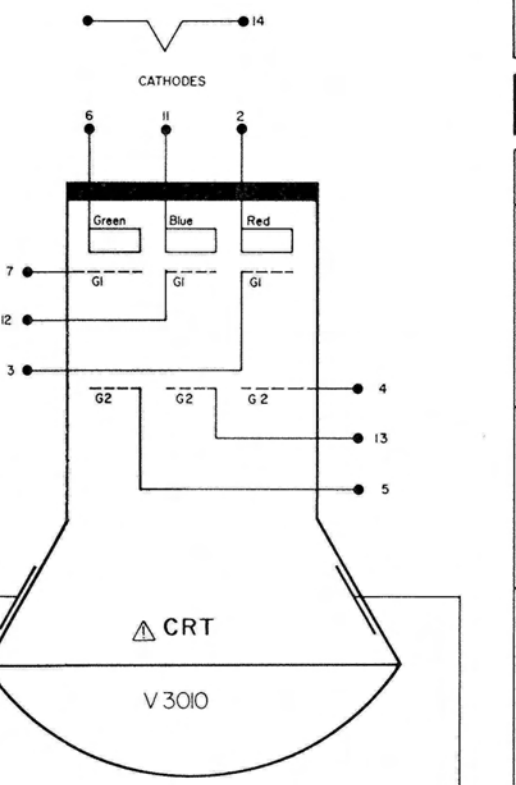
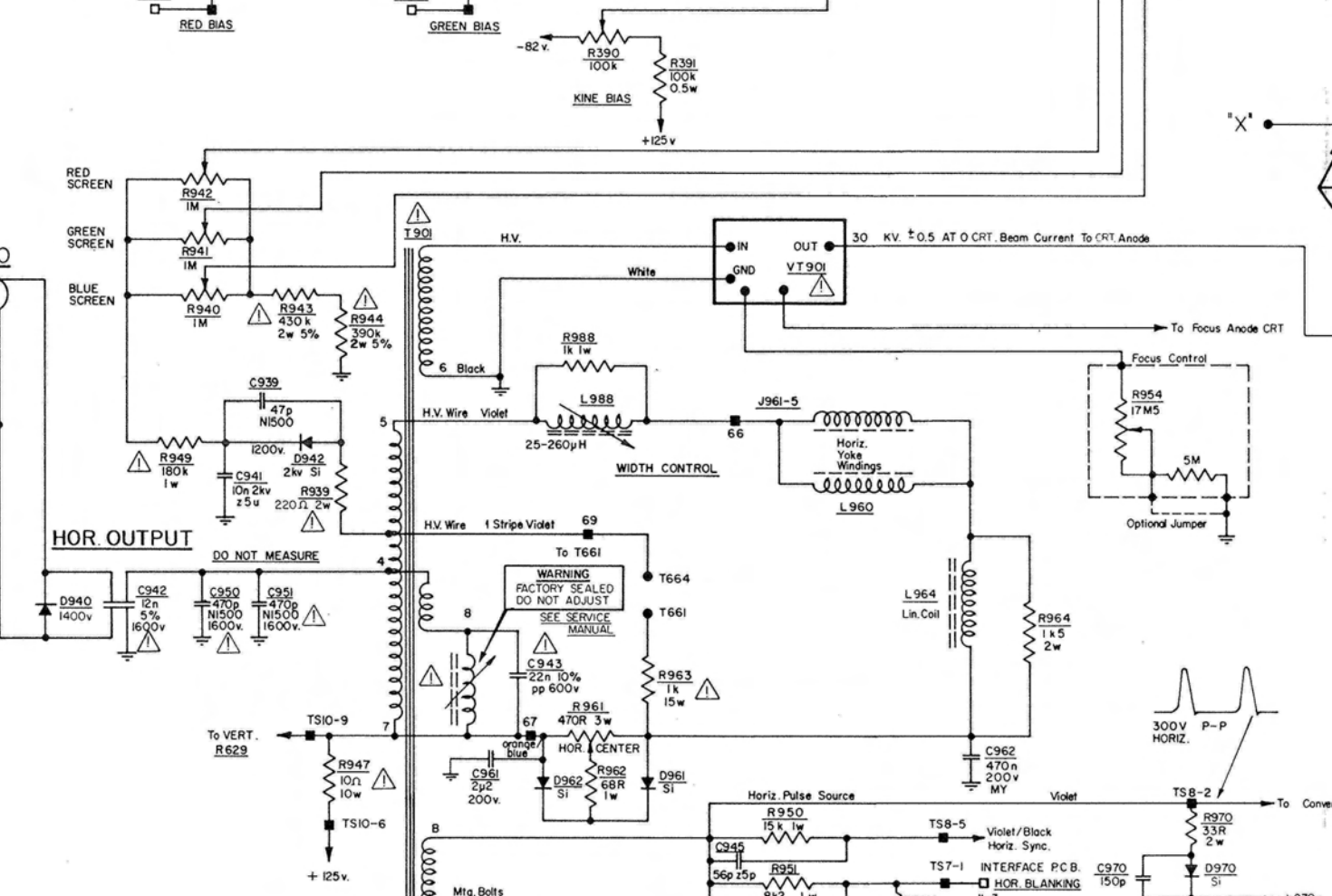
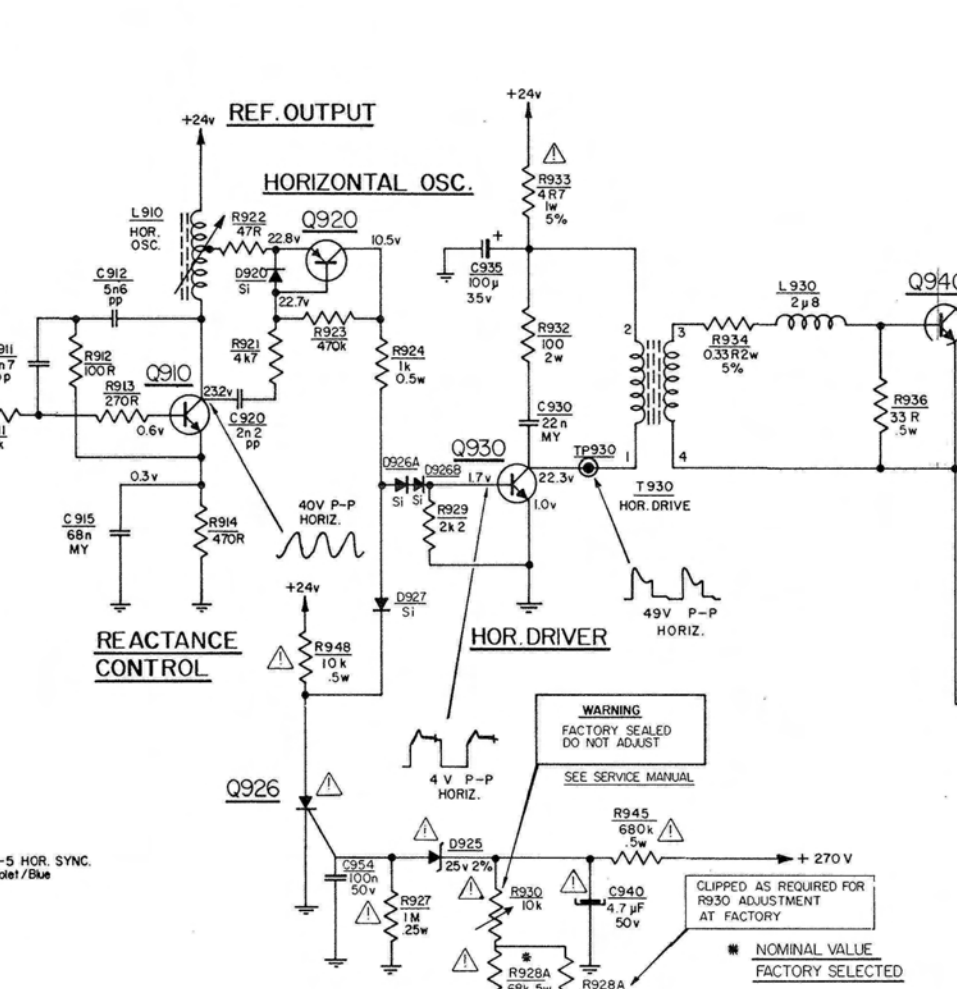
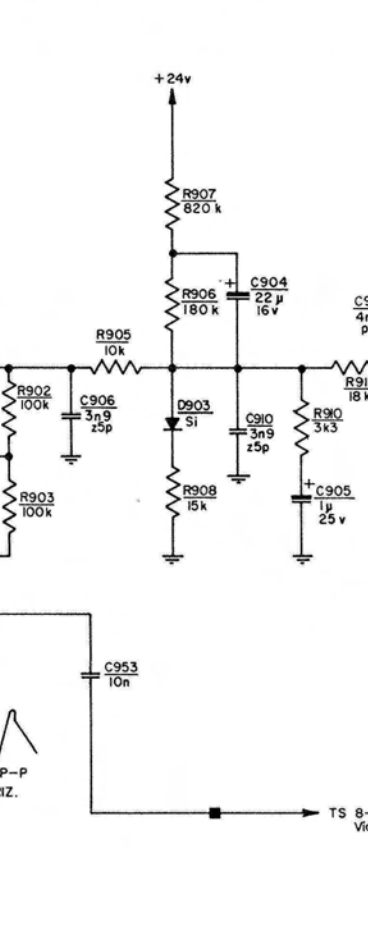
TRANSISTORS

Q 410	14-601-35
Q 415	14-915-23
Q 420	14-915-23
Q 425	14-806-12
Q 440	14-929-12
Q 445	14-806-12
Q 450	14-2032-01 7805

THERMISTOR 42-60-01 120 V 60R



DYNAMIC CONVERGENCE



CAUTION - FOR CONTINUED SAFETY, REPLACE THOSE COMPONENTS INDICATED BY Δ WITH EXACT REPLACEMENT PARTS ONLY. CONSULT SERVICE MANUAL PARTS LIST "SAFETY COMPONENTS".

GO2 CHASSIS Issue 1 00-4085-01

TRANSISTOR REFERENCE
SEE DRAWING NO. 00-1758-03.

DC VOLTAGES
MEASURED WITH HIGH-IMPEDANCE METER AND 120 VAC LINE. ALL THE DC VOLTAGES INDICATED ARE POSITIVE $\pm 10\%$. A PAIR, LIKE 240V, 190V INDICATES VOLTAGES RESULTING FROM MINIMUM AND MAXIMUM CONTROL SETTINGS. **CAUTION** - USE ONLY H.V. METER OR PROBE IN HORIZONTAL OUTPUT CIRCUIT.

WAVEFORMS
VOLTAGE GIVEN IS PEAK-PEAK USING A WIDE-BAND OSCILLOSCOPE WITH HIGH IMPEDANCE PROBE. CONTROLS ARE SET FOR AVERAGE COLOR PICTURE VIEWING. OSCILLOSCOPE SWEEP RATES USED ARE 30 Hz (VERT.) OR 78.75 Hz (HORIZ.).

LEGEND
RESISTORS - RESISTANCE IN OHMS, K (KILO-OHMS), OR M (MEG OHMS), $\frac{1}{4}$ WATT, 5% TOLERANCE UNLESS OTHERWISE NOTED. CAPACITORS - CAPACITY IN p (PICOFARADS), n (NANOFARADS) OR μ (MICROFARADS), DCV AND TOLERANCE NOTED WHERE CRITICAL. SPECIAL CAPACITORS ARE IDENTIFIED AS FOLLOWS:

P.S. POLYSTYRENE
P.P. POLYPROPYLENE
M.Y. METALIZED MYLAR
M MICA
NPO TEMPERATURE COEFFICIENT = NEGATIVE POSITIVE ZERO
N150 TEMPERATURE COEFFICIENT = NEGATIVE 150 P/M/C

INDUCTORS - INDUCTANCE IN μ H (MICRO HENRIES).
ZENER DIODES - ZENER VOLTAGE IN VOLTS.
ELECTROLYTICS OR TANTALUMS μ F - CAPACITY IN μ F DCV IN VOLTS.

MULTIPLIER NOTATION

MULTIPLIER OR SUB-MULTIPLE	PREFIX	SYMBOL
10^6	MEGA	M
10^3	KILO	k
10^{-3}	MILLI	m
10^{-6}	MICRO	μ
10^{-9}	NANO	n
10^{-12}	PICO	p

EXAMPLE FOR CAPACITORS
1n = 1nF
= 10^9 FARAD
= .001 μ F
= 1000pF

NEW NOTATION

μ	= μ F
n	= nF
p	= pF

OLD NOTATION

M	= MFD
k	= K
m	= mmf

IMPORTANT SAFETY NOTICE
 Components identified by the shaded areas in the parts list and the Δ symbol on the schematic have special characteristics for safety.
 These critical safety components are designed to "fail safe" under abnormal conditions. The failure of any one component often causes stress in other components which could lead to smoke or fire or other hazards. Because of this, components are selected and tested under actual fault conditions to ensure safe operation. Replacement with anything other than the identical Electrohome part may present a hazard.

Symbol	Description	Part Number	Remarks
C350	220F 2% 200V Capacitor	48-172242-62	
R350	3K9 5W 10% Resistor	40-223921-01	
R351	2K2 5W 10% Resistor	40-222221-01	
R352	Snap Twist Lug Control 100K	41-000227-48	kine bias
R391	100KR 5W 5% Res.	40-221045-01	
C401	470uF 250V and 250uF 175V Elec.	44-000202-32	
C402	250/250/1000uF 75/75/40V Elec.	44-000203-20	
C403	100nF 10% 40V Capacitor	48-171044-02	
C404	150nF 10% 400V Cap.	48-171544-62	
C405	1nF .20% +80% 50V	46-310268-50	
C406	1nF .20% +80% 50V	46-310268-50	
C408	1nF .20% +80% 50V	46-310268-50	
C409	1nF .20% +80% 50V	46-310268-50	
C410	1nF .20% +80% 50V	46-310268-50	
C411	1nF 10% 100V Cap.	48-171021-62	
C412	10K 10% 100V Cap.	48-171021-62	
C413A	1000uF 15.0 - 16.0V Elect.	44-310203-07	
C414	47nF 10% 200V Cap.	48-174732-62	
C415	Cap. across the line 47nF N.A.	48-000250-01	
C416	4.7nF 20% UL and CSA App. Cap.	46-204722-43	
C417	4.7uF 250V Electro.	44-347511-06	
C419	88 pF 10% N750 500V Cap.	46-488015-18	
C420	10uF 250V Capacitor	44-310011-05	
C425	10uF 50V Electro.	44-310006-03	
C426	22uF 35V Electro.	44-322105-06	
C427	1.0nF ZSU 0+100% 500V Cap.	46-310277-01	Foil Side B to C Q440
C428	57uF 250V Electrolytic	44-147015-23	
D401	Rectifier 1A 600V	28-000022-27	GI IN5061 GP
D402	Rectifier 1A 600V	28-000022-27	GI IN5061 GP
D403	Rectifier 1A 600V	28-000022-27	GI IN5061 GP
D404	Rectifier 1A 600V	28-000022-27	GI IN5061 GP
D405	Rectifier 1A 600V	28-000022-27	GI IN5061 GP
D406	Rectifier 1A 600V	28-000022-27	GI IN5061 GP
D407	Rectifier 1A 600V	28-000022-27	GI IN5061 GP
D408	Rectifier 1A 600V	28-000022-27	GI IN5061 GP
D409	Rectifier 1A 600V	28-000022-27	GI IN5061 GP
D410	Rectifier 1A 600V	28-000022-27	GI IN5061 GP
D412	Zener Diode 52V 5% SW	14-000515-42	MOT IN5258B
D414	Rectifier 3A 200V	28-000022-26	ITT IN5402
D415	Rectifier 3A 200V	28-000022-26	ITT IN5402
D416	Rectifier 3A 200V	28-000022-26	ITT IN5402
D417	Rectifier 3A 200V	28-000022-26	ITT IN5402
D420	Zener Diode 8.2V 5W 5%	14-000515-28	MOT IN5258B
D430	Zener Diode 52V 5% SW	14-000515-42	MOT IN5258B
D441	Zener Diode 25V 5W 5%	14-000515-28	MOT IN5258B
F401	2A 125V slow blow fuse	27-000005-18	
F403	2A 125V slow blow fuse	27-000005-18	
F404	1A slow blow fuse	27-000005-02	
F405	Quick Acting Fuse 1A 250V	27-000014-09	
L400	Choke 12UH	21-001410-02	
L401-2	Dual Line Choke	21-001415-01	
Q410	Power Trans. (TO-3 Case) 2A 100W	14-000601-35	DELCO DTS 801
Q415	Plastic Power Trans. NPN 40W	14-000915-23	TI TIP 48
Q420	Small Sig. Tran. 800MW 60V	14-000806-12	TI TCS 100
Q425	Small Sig. Tran. 800MW 60V	14-000806-12	TI TCS 100
Q445	5V Regulator	14-000806-12	TI TCS 100
R401	2M2 5W 10% Resistor	40-222513-01	Motorola MC 7805
R402A	Thermistor 120V 60R	42-000060-01	Philips 2322-662-93003
R402B	Thermistor 120V 60R	42-000060-01	Philips 2322-662-93003
R403	4W 33R 10% WW Res.	42-113301-03	
R405	27K 5W 5% Res.	40-222735-01	
R406	22K 5W 5% Res.	40-222735-01	
R407	1MR 5W 5% Res.	40-221065-01	
R408	4W 50R 10% WW Res.	42-115001-03	
R409	220R 5W 5% Res.	40-222115-01	
R411	82K 5W 5% Resistor	40-228235-01	
R415	680R 5W 5% Res.	40-228815-01	
R416	R82 1W 5% Res.	40-428285-98	
R417	4K7 1W 5% Resistor	40-424725-01	
R421	4K7 1W 5% Resistor	40-424725-01	
R422	Preset Control 4K7	41-000192-24	

Symbol	Description	Part Number	Remarks
R662	270R 5W 10% Resistor	40-222711-13	
R664	Linear Taper 30R	41-000281-02	
R666	270R 5W 10% Resistor	40-222711-13	
R667	270R 5W 10% Resistor	40-222711-13	
R668	5W 2K7 10% GP Resistor	42-122723-01	Vertical center
R669	Wirewound control 1K	41-000228-33	
R689	220R 2W 10% Resistor	40-622211-11	
R670	470R 2W 10% Resistor	40-624711-01	
R671	2W 5W 10% WW Resistor	42-115001-03	
R672	1K 1W 10% Resistor	40-421071-11	
T661	Combination Transducer	24-140008-01	Pincushion Transformer
C801	1000F 10% 200V Cap.	48-171042-22	
C802	270F 10% 200V Cap.	48-172742-42	
C803	82nF 10% 600V Cap.	49-000019-19	
C804	82nF 10% 600V Cap.	49-000019-19	
C805	Power Transistor NPN 6.0/6.5	48-171042-22	
C806	1000F 10% 200V Cap.	48-171042-22	
C807	680uF ZSP 10% 500V Cap.	46-36813-06	
C808	680F ZSP 10% 500V Cap.	46-36813-06	
D801	Diode Signal	14-000514-64	TI IN4148 - IN914
D802	Diode Signal	14-000514-64	TI IN4148 - IN914
D803	Diode Signal	14-000514-64	TI IN4148 - IN914
D804	Diode Signal	14-000514-64	TI IN4148 - IN914
D805	Diode Signal	14-000514-64	TI IN4148 - IN914
D806	Diode Signal	14-000514-64	TI IN4148 - IN914
D807	Diode Signal	14-000514-64	TI IN4148 - IN914
D808	Diode Signal	14-000514-70	TI UG 2367
D809	Diode Signal	14-000514-70	TI UG 2367
D810	Diode Signal	14-000514-64	TI IN4148 - IN914
D811	Diode Signal	14-000514-64	TI IN4148 - IN914
L801	Coil Blue Shaper	21-001094-01	
L802	Coil RT Horiz. Lines R/G	21-001092-01	
L806	Coil R/G Vertical	41-001092-01	
R801	150R 2W 5% Resistor	40-421512-13	
R802	27R 2W 10% Resistor	40-422701-11	
R803	Wirewound Control 100R	41-000238-04	Left Horizontal Blue
R804	270R 1W 20% Resistor	40-422712-13	
R805	100R 1W 20% Resistor	40-421012-13	
R806	Wirewound Control 120R	41-000238-04	Left Horizontal R & G
R807	Wirewound Control 150R	41-000238-04	Left Vertical R & G
R809	100R 1W 20% Resistor	40-421012-13	
R810	Wirewound Control 60R	41-000238-04	Top Horizontal R & G
R811	Wirewound Control 60R	41-000238-04	Bot. Horizontal R & G
R812	330 R 5W 5% Resistor	40-223315-11	
R813	330 R 5W 5% Resistor	40-223315-11	
R814	Wirewound Control 30R	41-000238-02	Top Vertical R & G
R815	Wirewound Control 30R	41-000238-02	Bot. Vertical R & G
R816	5R6 1W 10% Resistor	40-425691-11	
R817	220R 5W 5% Resistor	40-222115-11	
R818	Wirewound Control 60R	41-000238-04	Top Horizontal Blue
R819	Wirewound Control 60R	41-000238-04	Bot. Horizontal Blue
R820	100R 5W 5% Resistor	40-221015-11	
R821	100R 5W 5% Resistor	40-221015-11	
T801	Coil RT Horizontal Lines Blue	21-001093-01	
C901	1000F ZSP 10% 500V Cap.	46-310113-02	
C902	3300F ZSP 10% 500V Cap.	46-33113-02	
C903	3300F ZSP 10% 500V Cap.	46-33113-06	
C904	22uF 15.0/16.0 Elect.	44-322003-02	
C905	1uF 35V Electro.	44-310505-01	
C906	3.9nF ZSP 10% 500V Cap.	46-33213-19	
C910	3.9nF ZSP 10% 500V Cap.	46-33213-19	
C911	4.7nF 10% Poly Cap.	48-304721-01	
C912	5.6nF 10% Poly Cap.	48-305621-01	
C915	68nF 200V 10% mylar Cap.	48-17682-12	
C920	2.2nF 10% Poly Cap.	48-302221-01	
C930	22nF 10% 200V Cap.	48-172232-22	
C935	100uF 35V Electro.	44-310105-05	
C939	47pF 10% ZSP 6000V Cap.	46-547016-90	
C940	4.7uF 50V Electro.	46-147608-03	
C941	10nF 20% 2000V ZSU Cap.	46-510322-72	
C942	Fail Safe Ext. Pulse 12nF 1600V	49-000024-01	
C943	XTRM Pulse Cap 22nF 10% 600V	49-000019-19	
C945	56pF ZSP 10% 500V Cap.	46-35013-01	
C946	270pF ZSP 10% 500V Cap.	46-327113-01	
C949	10nF ZSP 10% 500V Cap.	46-310313-22	
C950	170F ZSP 200V N1500 Cap.	46-547243-83	
C958	470F 20% 2000V N1500 Cap.	46-547222-93	
C953	10nF ZSP 10% 500V Cap.	46-310313-22	
C959	100F 20% 200V Cap.	46-310027-40	
C961	2.2uF 20% 200V Cap.	48-172252-01	
C962	470F 400V 10% HC Cap.	49-000019-24	
C970	150F 15% ZSP 1000V Cap.	46-515122-30	
C971	10uF 35V Electro.	44-122017-18	
D901	Diode Signal S1 Taped	14-000514-70	TI UG2367
D902	Diode Signal S1 Taped	14-000514-70	TI UG2367
D903	Diode Signal S1 Taped	14-000514-64	TI IN4148 - IN914
D920	Diode Signal S1 Taped	14-000514-64	TI IN4148 - IN914
D925	Zener Diode 25V 2% SW	14-000515-41	
D926A	Diode Signal	14-000514-64	TI IN4148 - IN914
D926B	Diode Signal	14-000514-64	TI IN4148 - IN914

Symbol	Description	Part Number	Remarks
D927	Diode Signal	14-000514-70	Philips OF 155
D940	Rectifier 1A 1400V	28-000022-25	GI D81
D942	Rectifier 0.5A 2000V	28-000022-29	Varo VG2X
D961	Diode Special S1 Taped	14-000514-74	Philips BA148
D962	Diode Special S1 Taped	14-000514-74	Philips BA148
D970	Diode Signal	14-000514-30	RCA 77Z
L910	Horizontal Osc. Coil	21-001070-02	
L930	Horizontal Delay Choke 2.8uH	21-001410-03	
L960	Deflection Yoke	21-001122-07	
L964	Horizontal Linearity Coil	21-001148-01	Horizontal Linearity Adjust
L988	Width Coil	21-001405-06	
Q901	Small Sig. Tran. 300MW 60V	14-000802-12	MOT TIS 98
Q920	Small Sig. Tran. 300MW 80V	14-000807-12	MOT MPS U56
Q926	Thyristor	14-000816-03	MOT 2N5061
Q930	Plastic Power Transistor	14-000510-13	MOT P1E 018
Q940	Power Transistor (TO-3 case) 5A 50W	14-000601-36	Hitachi 7644
R901	4K7 25W 10% Resistor	40-124721-31	
R902	100K 25W 5% Resistor	40-121045-31	
R903	100K 25W 5% Resistor	40-121045-31	
R905	10K 25W 5% Resistor	40-121035-11	
R906	820K 25W 5% Resistor	40-121845-13	
R907	820K 25W 5% Resistor	40-128245-31	
R908	15K 25W 10% Resistor	40-121531-31	
R910	3K3 25W 10% Resistor	40-123321-31	
R911	18K 25W 5% Resistor	40-121831-31	
R912	100R 25W 10% Resistor	40-121011-11	Foil SD 0910E to R912
R913	270R 25W 10% Resistor	40-122711-31	
R914	470R 25W 10% Resistor	40-124711-31	
R921	4K7 25W 10% Resistor	40-124721-31	
R922	47R 25W 10% Resistor	40-124701-31	
R923	470K 25W 5% Resistor	40-124745-31	
R924	1K 5W 10% Resistor	40-221021-31	
R927	1M 25W 10% Resistor	40-121055-11	
R928A	68K 0.5W 10% Resistor	40-228835-11	
R928B	80K 0.5W 10% Resistor	40-228845-11	
R929	2K2 25W 10% Resistor	40-122221-31	
R930	10K Control	41-000192-25	HV Holddown
R931	100R 2W 10% Resistor	40-421011-01	
R933	4R7 1W 5% Resistor	40-424795-11	
R934	33R 2W 5% Resistor	40-623385-98	
R936	33R 5W 10% Resistor	40-223301-31	
R939	220R 2W Resistor	42-000663-37	
R940	Snap Twist Lug Control 1M	41-000227-64	Blue screen
R941	Snap Twist Lug Control 1M	41-000227-63	Green screen
R942	Snap Twist Lug Control 1M	41-000227-62	Red screen
R943	HV Res. 430K 2W 5% 750V	42-000064-02	
R944	HV Res. 350K 2W 5% 750V	42-000064-01	
R945	680K 5W 5% Res.	42-22845-11	
R947	10R 10W 10% WW Res.	42-141001-03	
R948	150K 10W 5% Res.	40-221035-11	
R949	180K 1W Resistor	42-000063-36	
R950	15K 1W 10% Resistor	40-421531-03	
R951	8K2 1W 10% Resistor	40-428225-01	
R952	3K3 5W 10% Resistor	40-223321-01	
R953	22K 5W 10% Resistor	40-222221-01	
R954	Focus Control 17M5	41-000251-03	Focus
R961	Linear Taper	41-000281-01	
R962	68R 1W 10% Resistor	40-426801-11	
R963	Critical Safety Resistor 1K 15W 10%	42-000063-01	
R964	1K5 2W 10% Resistor	40-421521-11	
R970	33R 2W 10% Resistor	40-623301-01	
R988	1K 1W 10% Resistor	40-421021-11	
T901	Flyback 31KV	24-170002-03	
VT 901	HV Trplr + Focus Dvdr A 26.5"	28-000037-01	
C3001	180pF 5% Mica Cap.	47-041815-06	
C3011	180pF 5% M		